

SWISSMEX®

**2 YEAR
WARRANTY**

SEE INSIDE FOR DETAILS

**2 AÑOS
GARANTÍA**

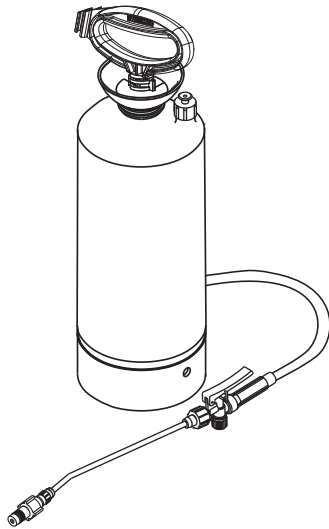
CONSULTE EL
MANUAL EN EL INTERIOR



OPERATOR'S MANUAL MANUAL DEL OPERADOR

**INDUSTRIAL SPRAYERS TO BE USED
MAINLY IN THE CONSTRUCTION MARKET**

**LÍNEA INDUSTRIAL
APLICADORES PARA LA CONSTRUCCIÓN**



SOLVENTS

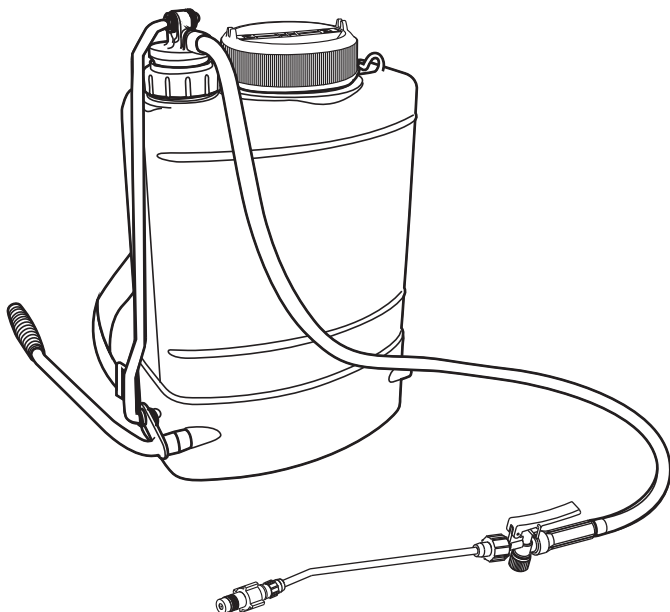
**MODELS WITH CAPACITY OF:
MODELOS CON CAPACIDAD DE:
1.3, 1.7, 2.4 AND 4 US GAL /
5, 6, 9,15 LITERS / LITROS**

Series Industrial sprayers to be used mainly in the construction market with capacity of 1.3, 1.7, 2.4 and 4 US gal, specially designed for the application of SOLVENTS.

Línea industrial de aplicadores de 1.3, 1.7, 2.4 Y 4 US GAL / 5, 6, 9,15 litros, para ser usados principalmente en el mercado de la construcción especialmente para aplicación de SOLVENTS.

MODELS / MODELOS

**319310, 320305, 322315,
189335, 322320**



INDEX / ÍNDICE

ENGLISH VERSION

1. Introduction.....	1
2. Safety Information	1, 2
2.1 Protection equipment	
2.2 Safety measures	
3. General information	2, 3, 4
3.1 Main components	
3.2 Technical data	
3.3 Assembly	
3.3.1 Parts you are receiving	
3.3.2 How to assemble the sprayer	
4. Operation	5
5. Service.....	5, 6
5.1 Service guide	
6. Common problems, possible causes and solutions	7
7. Accessories.....	8, 9
8. Spare parts.....	10, 11
9. Storage.....	12
10. Warranty	12

VERSIÓN EN ESPAÑOL

1. Introducción.....	13
2. Información de Seguridad	14
2.1 Equipo de protección	
2.2 Medidas de seguridad	
3. Información General	15
3.1 Componentes principales	
3.2 Datos Técnicos	
3.3 Ensamble	
3.3.1 Partes que usted recibirá	
3.3.2 Cómo ensamblar su aplicador	
4. Operación	16, 17
5. Servicio.....	17
5.1 Guía de servicio	
6. Posibles problemas y soluciones.....	18
7. Accesorios.....	19, 20
8. Refacciones.....	21, 22
9. Almacenamiento.....	23
10. Garantía	23

1. INTRODUCTION

Thank you for buying a Swissmex equipment, we guarantee that the product you have acquired was made with an unbeatable quality, because it was developed with state of the art technology following all quality standards required. This equipment was carefully designed and built with the purpose of providing the maximum performance, economy and ease of operation. It is very important that the operator knows all the information contained in this manual, read it before operate it, follow the recommendations step by step and keep it at hand to consult it when necessary.



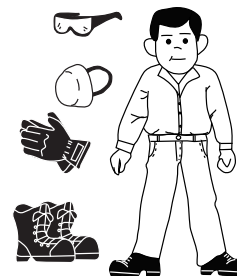
This manual contains important safety warnings, please read it carefully to avoid any possible accident. Keep all warning stickers and if necessary replace them.

Each Industrial Series model has been designed to apply a specific kind of chemical whether it be solvents, acids or acetone. Using the correct chemical for each model will make sure the success of the application and the maintenance in good condition of the equipment.

2. SAFETY INFORMATION

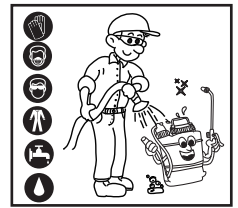
2.1 PROTECTION EQUIPMENT

- Industrial gloves
- Safety glasses
- Closed toe footwear
- Safety Clothes
- Safety mask



2.2 PROTECTION EQUIPMENT

- Read this manual carefully before operating the equipment.
- Incorrect handling by not qualified persons may cause serious accidents.
- Do not make modifications or adaptations because they can compromise your equipment and put your safety and that of a third party at risk. They also invalidate the warranty.
- Do not allow the presence of children, the elderly, people with disabilities or animals when using the equipment.
- Keep your equipment in good condition and in a safe place. Always wash and store your equipment without pressure.
- Read and follow the instructions of the chemical product you are going to apply.
- Wear the personal protective equipment mentioned above when using, filling or washing your sprayer
- Keep connections tight to prevent leaks.
- Never fill your sprayer with hot liquids, maximum: 30 ° C = 85 ° F.



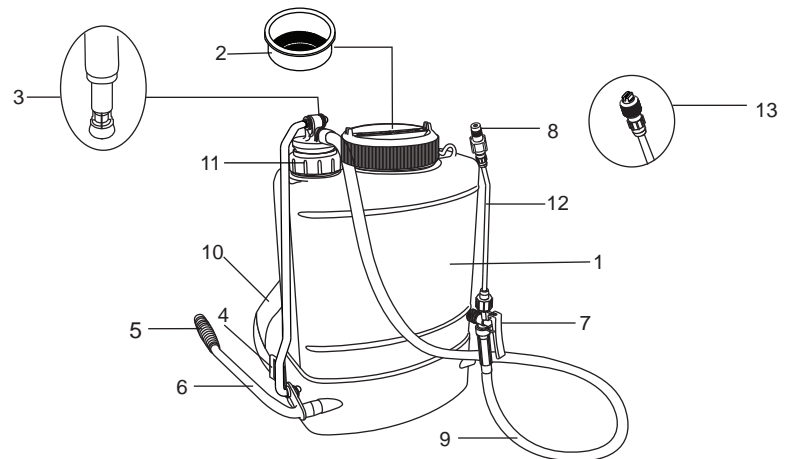
Important: this sprayer is designed to be used with chemicals and products in concentrations not higher than 5% than marked, that are compatible with the materials of this unit, using products that are not compatible with these materials can cause damage to the user and the unit. Warranty will apply only when the chemicals and products used with this unit are compatible with it.

3. GENERAL DATA

3.1 MAIN COMPONENTS

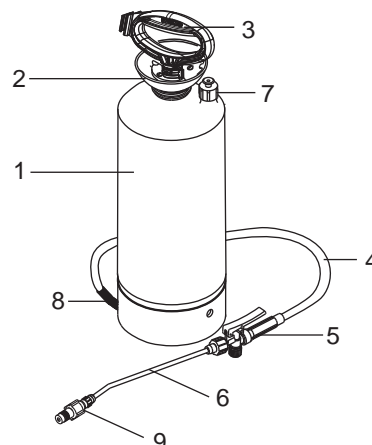
189305 Solvents sprayer:

1. Tank
2. Filling port, tank lid & strainer
3. Pump system
4. Strap hook
5. Ergonomic grip
6. Pump handle
7. Shut-off valve with filter holder
8. Adjustable nozzle
9. Hose
10. Adjustable carrying straps
11. Connecting rod
12. Spray lance



Compression sprayers:

1. Tank
2. Filling port
3. Steel rod handle
4. Hose
5. Shut-off valve
6. Spray lance with nozzle
7. Pressure relief valve
8. Spring
9. Shut-off valve with filter holder



3.2 TECHNICAL DATA

ESPECIFICATIONS		SOLVENTS				
Model number:	319310	320305	322315	189335	322320	
Useful capacity	1.3 GAL / 5 L	1.5 GAL / 6 L	2.4 GAL / 9 L	3.9 GAL / 15 L	2.3 GAL / 9 L	
Carrying straps	Non-absorbent polyester, 38 mm wide					
Pump system	Piston					
Piston sleeve	Elastomer, 38 mm diameter			Elastomer, 45 mm diameter	Elastomer, 38 mm diameter	
Working pressure	1.5 to 2.5 bar - 22 to 36 psi			1-6 bar-87 psi	1.5 to 2.5 bar - 22 to 36 psi	
Approx. weight	2.1 kg / 4.6 lb	2.4 kg / 5.3 lb	3.1 kg / 6.8 lb	4.6 kg / 10.1 lb	3.1 kg / 6.8 lb	
Hose	Polyethyiene, 1.5 m = 59" long					
Shut-off	On/off valve, locks for continuous spraying					
Spray lance	Brass 52 cm = 20.5"					
Nozzle	Brass adjustable, fan plastic & fan ceramic					
Seals	FPM					

3.3 ASSEMBLY

3.3.1 Parts you are receiving

189305 Solvents / 189310 Acetone sprayer:

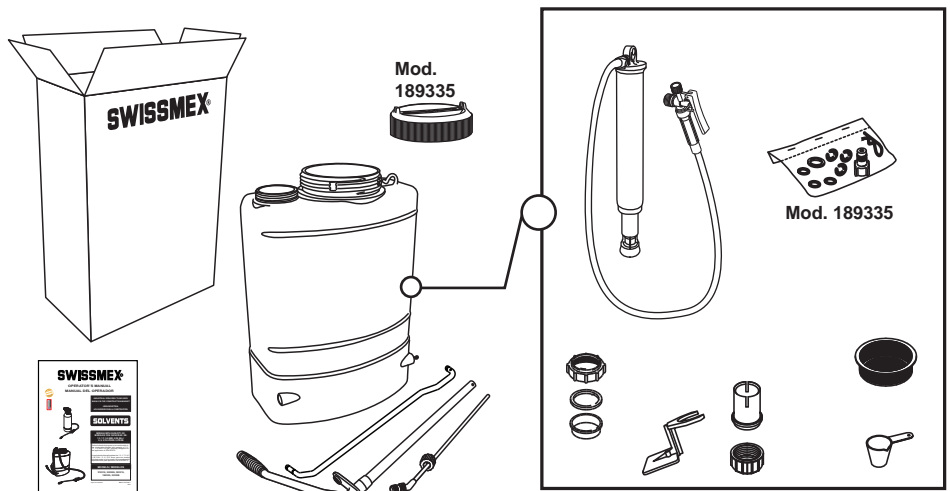
- 1 Pump handle
- 1 Spray lance
- 1 Tank lid
- 1 Connecting rod
- Brochures

Inside the tank you will find:

- 1 Strainer
- 1 Dosing cup
- 1 Agitator

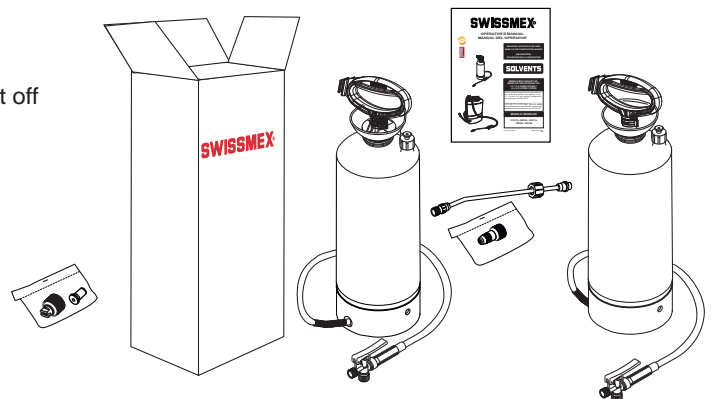
In a plastic bag you will find:

- 1 Adjustable nozzle with nut
- 3 Lock pin "C"
- 3 washers
- 1 Lock washer
- 1 Cotter pin or lock pin "R"



Compression sprayers:

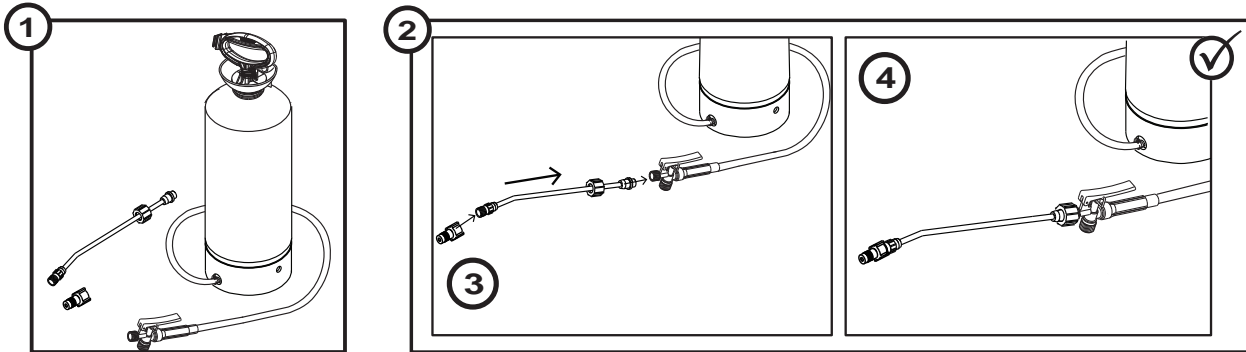
- Complete tank with pump handle, pressure relief valve, hose and shut off
- 1 Spray lance
- 1 Adjustable nozzle
- 1 Hollow cone spray tip with nut
- 1 Flat fan spray tip with nu
- Operator's manual



3.3.2 How to assemble the sprayer:

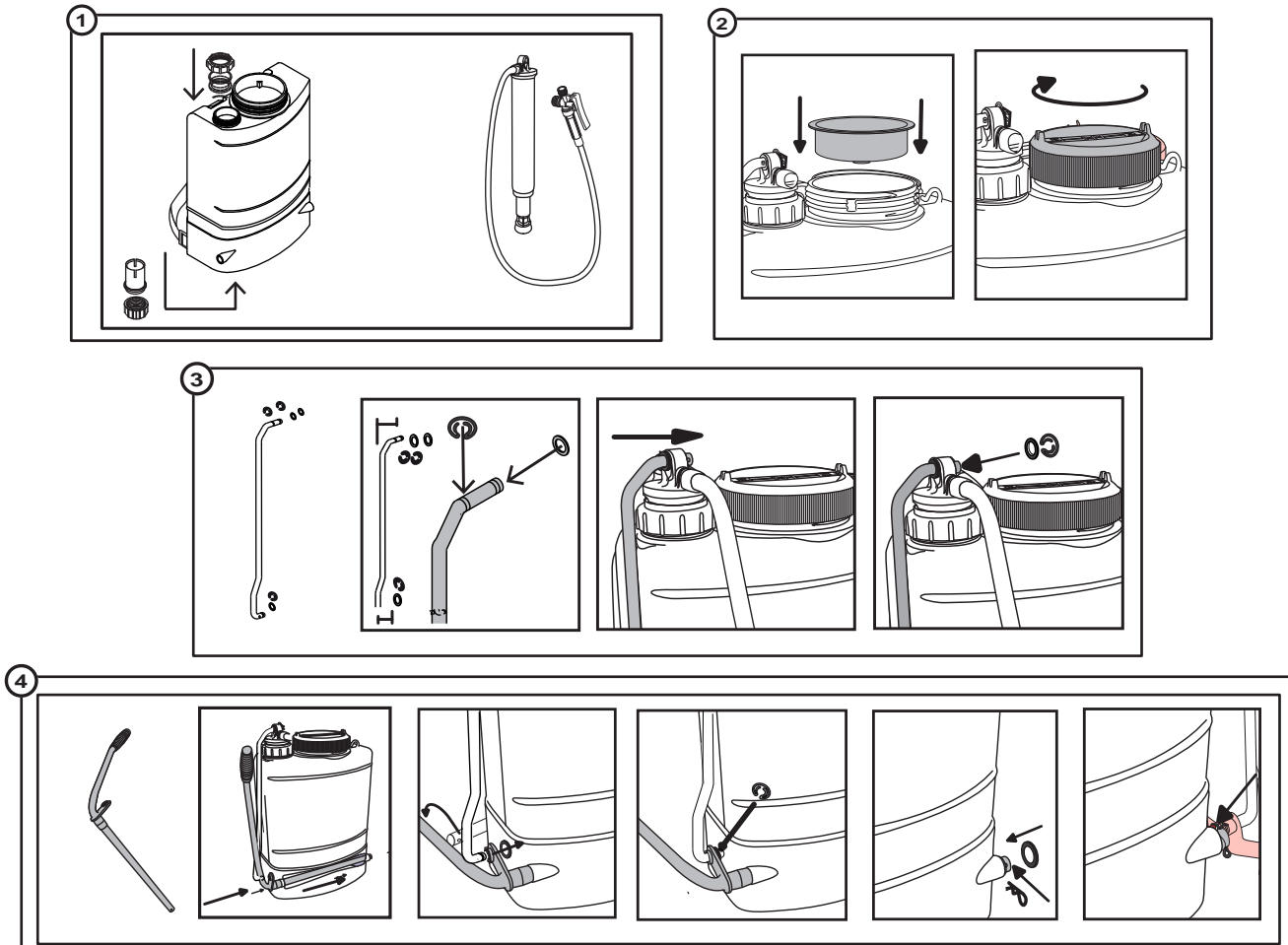
Compression sprayers:

1. Remove all the parts from the box and tank.
2. After removing the nozzle from the bag fix it in the spray lance.
3. Place the applicator upright on a table, assemble the spray tube with the gun and tighten firmly.
4. Your sprayer is ready to use.



Backpack sprayer:

- 1.- Take the loose parts out of the tank.
- 2.- Place the strainer on the filling port and then the tank lid.
- 3.- Insert the connecting rod in the pump tube placing one flat washer on each side, fix them with the lock pins "C".
- 4.- Pass the pump handle through the base of the tank fixing it to the connecting rod with a flat washer and a lock pin "C" and on the other end with a lock washer and a cotter pin.
- 5.- Assemble the nozzle to the spray lance. Lightly tighten without tools.
- 6.- Assemble the spray lance to the shut-off and tighten manually. Make sure the gasket is in place.

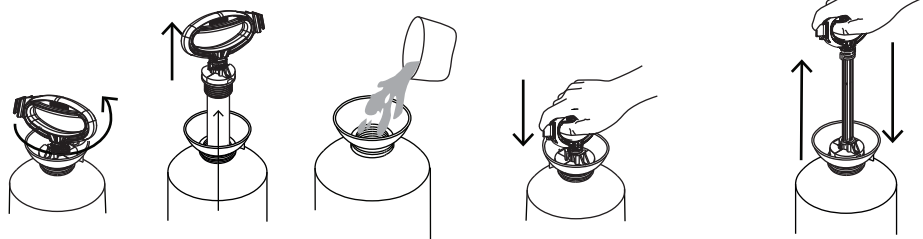




4. OPERATION

Compression sprayer:

- Mix the solution in a separate container following the instructions of the product manufacturer.
- Unscrew the pumping tube and remove it from the tank.
- Pour the pre-mixed solution up to the indicated level marked in the tank.
- Replace the pump tube and screw it tightly, then pressurize the unit.
- Hold the sprayer by the handle or place it on the shoulder with the carrying strap and start applying.
- Turn the nozzle to change the spray pattern (Solvent models 319310, 320305 & 322315).



NOTE:

The pump tube must be tight firmly otherwise the applicator will leak and will not hold pressure.

NOTE:

To ensure the best performance use only "SWISSMEX-RAPID" original spare parts.

Backpack sprayer:

- Always use the strainer when filling the tank.
- Mix the solution in a separate container following the instructions of the product manufacturer.
- Pour the pre-mixed solution into the tank and place the lid.
- Put the applicator on your back and pressurize it by pumping 15 to 20 times
- Pump every 3 or 4 seconds to maintain the desired pressure.
- For continuous application, secure the shut-off lever with the lock hook.
- Turn the nozzle to change the spray pattern (Solvent model 189335).

NOTE:

To ensure the best performance use only "SWISSMEX-RAPID" original spare parts.

5. SERVICE

The applicator requires minimum maintenance. Follow in detail the steps mentioned in this manual and the useful life of the equipment will be very long. At the end of your spraying job, don't leave the applicator with pressure, let all the pressure release through the nozzle, then remove the lid and the tank strainer (backpack sprayer) or unscrew the pump handle (compression sprayer) and turn over the sprayer to empty the remaining solution in an appropriate container for it. Now rinse the entire sprayer system with fresh water, as follows:

- Pour ½ gal of fresh water into the tank and pressurize, flush the pumping system by depressing trigger at least 2 minutes, then remove the lid and the tank strainer (backpack sprayer) or unscrew the pump handle (compression sprayer) and turn over the sprayer to empty the remaining water. Do this regularly and it will prolong the life of gaskets and seals.
- The carrying straps are made of non-absorbent material, however in case of spilling a solution you should wash the straps and tank with fresh water to eliminate any possible risk of skin irritation.
- Always follow the instructions for use of the products you are applying to avoid accidents and make the most of the product.
- Always store the sprayer clean and empty in a dry place protected from the sun.

5.1 SERVICE GUIDE

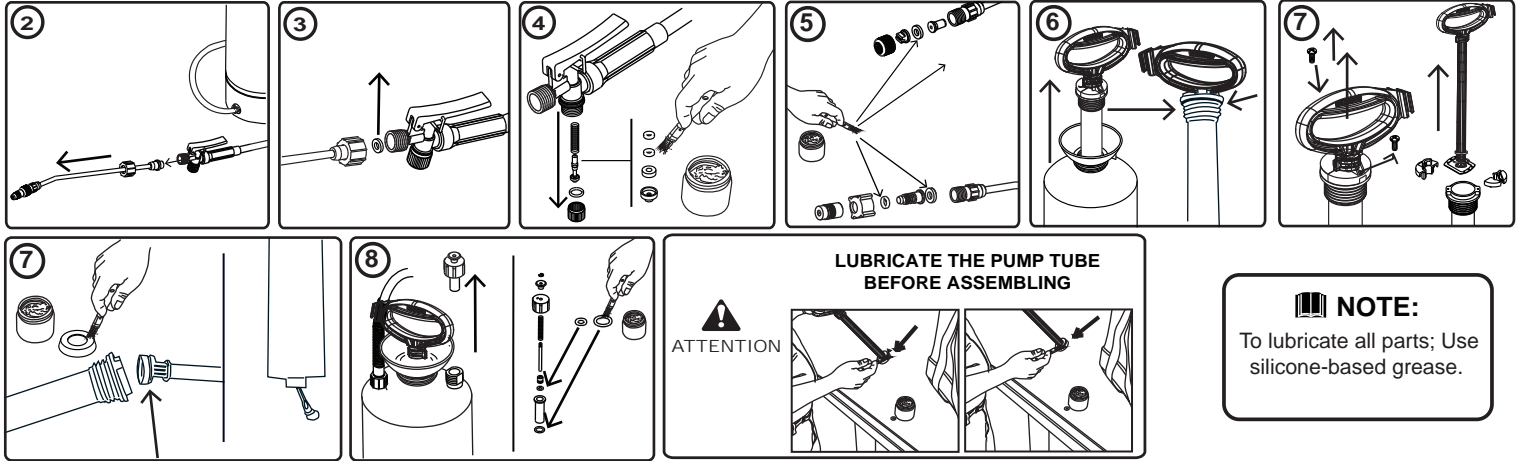
NOTE: To keep your sprayer in optimal condition, keep the following parts always greased: shut-off O rings, Piston sleeve, Pump tube O rings, Plunger O rings, Nozzle O ring and pressure relief valve O ring.

Wash the sprayer inside and outside with fresh water, to be able to handle it without contamination risk. It is recommended to replace all wear parts when performing a repair job:

- Piston sleeve, - Shut-off O rings, - Pump tube O rings, - Plunger O rings,
- Nozzle O ring - Nozzle gasket and - Pressure relief valve O ring

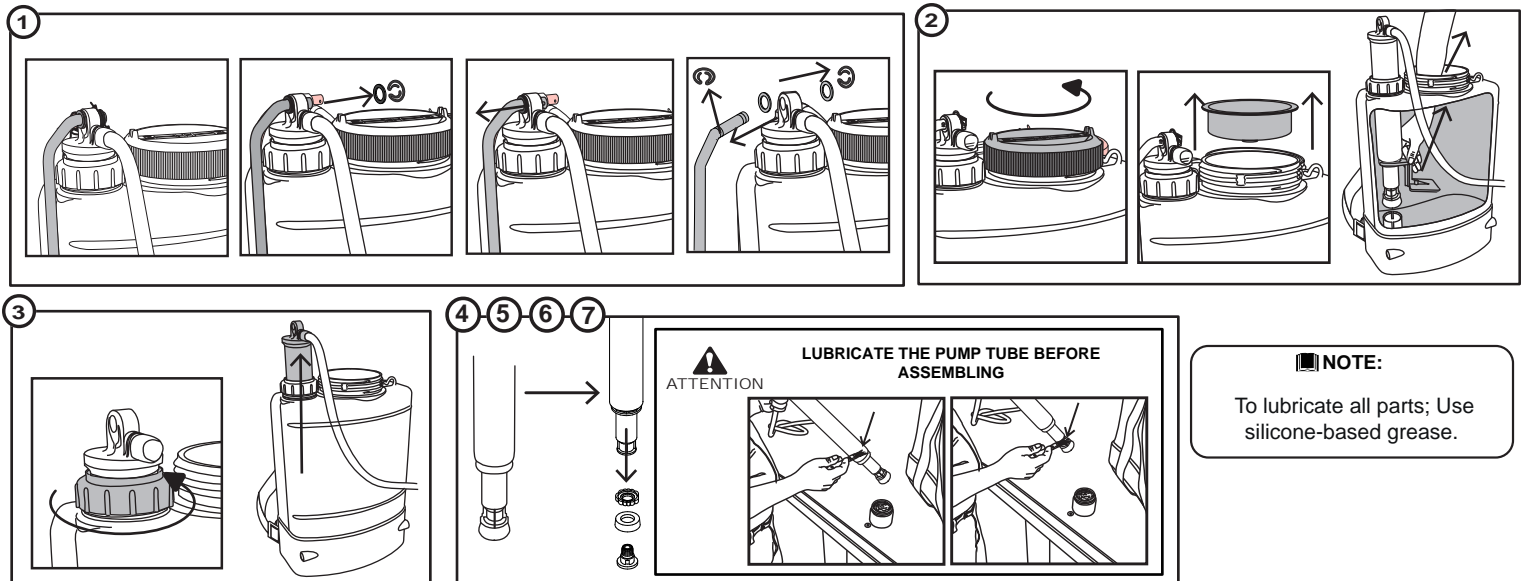
Instructions for compression sprayers:

- 1.- Change the wear parts in the pump tube, shut-off, spray lance and nozzle if your sprayer is leaking or as preventive maintenance.
- 2.- Unscrew the nut between spray lance and shut-off.
- 3.- Change gasket located between nut and shut-off.
- 4.- The shut-off is comprised by several pieces, remove the lower plug and replace gasket, remove plunger and replace the two o-rings and gasket. Lubricate before assembly.
- 5.- Unscrew the nozzle and replace O-ring and gasket, lubricate.
- 6.- Remove the pump tube from the tank and replace O ring located in the upper part, lubricate before assembling.
- 7.- Remove screws of the pump tube, remove handle, in the lower part replace and lubricate the the piston sleeve.
Remove the antenna from the lower end of the pump tube and replace the O ring.
- 8.- On models 319 and 320 remove relief valve to lubricate or change the o-rings if needed.



Instructions for dismantling the Solvents backpack sprayer model 189335:

- 1.- Place the sprayer in a vertical position on a flat surface. Remove the washers and lock pin "C" from the top of the connecting rod. Remove the connecting rod from the pump tube, taking care of not losing washers and lock pins.
- 2.- Remove the lid and the strainer, proceed to remove the agitator.
- 3.- Loosen tank guide nut. Pull out pump tube.
- 4.- Loosen the piston holder bolt. (press its slot against the top edge of the pump handle connector and unscrew the pump tube counter-clockwise)
To check the ball valve, remove piston holder and make sure the seal is clean and in good shape if not replace it.
Take care when reassembling that the piston sleeve is placed with the cutting edge facing the piston.
- 7.- To reassemble the sprayer follow the previous steps in reverse.



6. COMMON PROBLEMS, POSSIBLE CAUSES & SOLUTIONS

Compression sprayer

PROBLEM	CAUSE	SOLUTION
The piston does not slide easily and there is noise between the pump tube and the piston.	There is no lubrication between the pump tube and the piston sleeve.	Check the piston sleeve. If it is worn-down replace it and grease it, if not just grease the edges.
The pump system leaks.	The antenna does not seal correctly in the seat of the pump tube.	Check the antenna and if necessary replace the seal. Lubricate before reassembling.
Shut-off leaks after releasing the handle.	The O rings of the shut-off plunger are worn-down or swollen.	Replace and grease the new O rings and plunger
The sprayer is pressurized but there is no flow when pressing the shut-off handle.	The hose is clogged.	Loosen the hose clamp and check if the hose or the tank outlet are clogged and if so, proceed to unclog them with pressurized air or water
Although the sprayer is being pumped vigorously it does not build pressure.	The pump tube is not tight enough.	Tighten the tube and grease the O ring.

Backpack sprayer

PROBLEM	CAUSE	SOLUTION
The tank collapses when pumped.	Breathing check is blocked.	Lubricate or replace it if worn-down
The piston sleeves do not slide smoothly and pumping is difficult.	The piston sleeve is swollen .	Replace and lubricate the piston sleeve.
The piston sleeve slides too easily and the sprayer does not build pressure .	The piston sleeve is worn-down or shrunk.	Replace and lubricate the piston sleeve.
The sprayer does not build pressure after being pumped.	The check ball is stuck or debris in the check ball holder avoids it sits properly.	Remove debris and replace the check ball if necessary.
When pumping a squeak is heard between the pump tube and guide nut.	The pump tube and guide nut need lubrication.	Lubricate both parts.
Shut-off leaks after releasing the handle.	The O rings of the shut-off plunger are worn-down or swollen.	Replace the ne O rings and grease them along with the whole plunger.
There is no liquid flow when pressing the shut-off handle.	The filter or the nozzle are blocked.	Clean or replace the filter and clean the nozzle.

7. ACCESSORIES

EXTENSION LANCE:

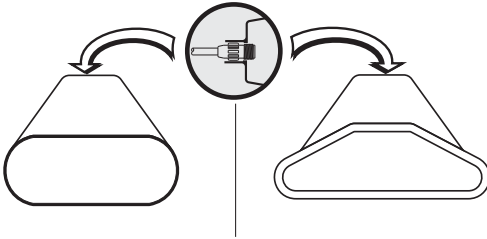
Extentions for construction lines



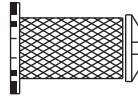
- E1000219511 brass with EPDM Seals for Acetone 1.0m
- E1000219512 brass with FKM Seals for Solvent/Form Oils 1.0m
- E1000219513 PVC with NBR Seals for Acid 1.0m

SCREEN SHIELDS

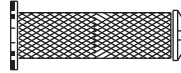
- E1000219099 de 40 cm
- E1000219110 de 40 cm translucent
- E1000219117 de 22 cm (3/8")



FILTERS



- E2888219011 Antidrip, 50 mesh, blue
- E2002219026 Antidrip, 80 mesh, yellow
- E2002219027 Antidrip, 100 mesh, green
- E2888219012 No antidrip, 50 mesh, blue
- E2002219078 No antidrip, 80 mesh, yellow
- E2888219013 No antidrip, 73 mm, 50 mesh



CARRYING STRAPS



- E1000080034 Complete strap
- E1000120334 Economic strap
- E1000501034 Economic strap with shoulder pad
- E1000501134 Complete strap with shoulder pads
- E1000501135 10 traps kit



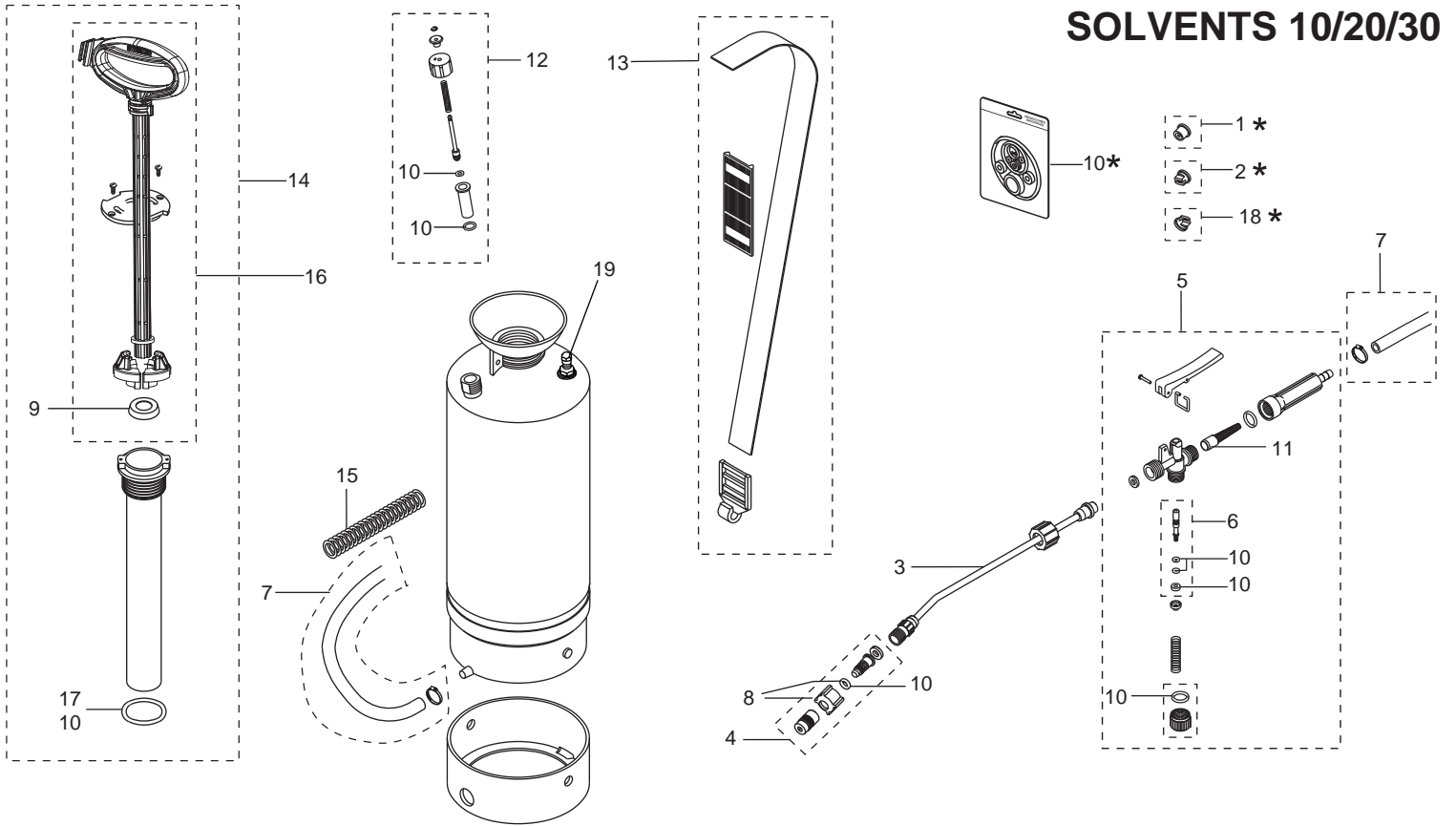
- E1000501230 Janisset strap
- E1000501268 Janisset economic strap

- E1000501336 Janisset strap with hook ring style



NOTE: These accesories are not special for the construction line. For more info. please contact your sales rep.
Or : www.swissmex.com

8. SPARE PARTS



A Spare parts and consumables always available.

No.	Code	Description	Qty.	Qty. per bag
1 *	E2888219007	11003-1102 03 DARK BLUE FAN TIP	1	10
2 *	E2888219038	SF 110 LIGHT BLUE FAN TIP	1	10
8	E1000803094	NOZZLE HOLDER WITH SEAL (V)	1	1
9	E1000120029	PUMP PLUNGER	1	20
10 *	E1000320202	COMPLETE SET OF O-RINGS	1	1
18 *	E2888219002	TIP RIGHT ANGLE DEFLECTED 1008.05 BROWN	1	10

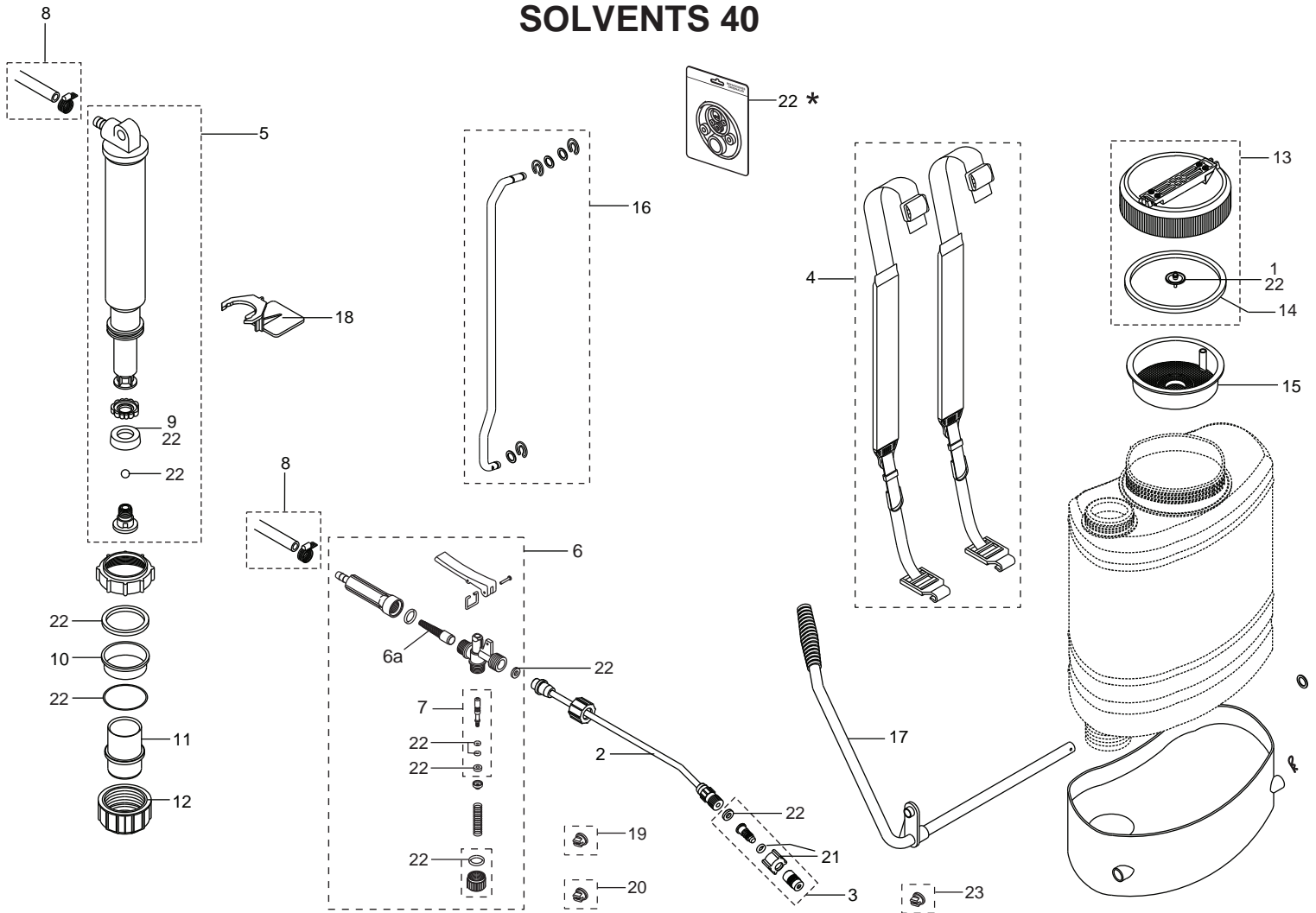
B Medium-use parts, available at discretion.

No.	Code	Description	Qty.	Qty. per bag
3	E1000803085	20" BRASS SPRAY WAND	1	1
4	E1000803592	ADJUSTABLE BRASS NOZZLE WITH HOLDER	1	1
5	E1000807082	COMPLETE SPRAY GUN WITH SEALS	1	1
6	E1000803061	COMPLETE SPINDLE SET	1	5
7	E1000803183	HOSE SET WITH 2 HOSE CLAMPS	1	1
11	E1000807074	FILTER SPRAY (GUN)	1	10
12	E1000120324	PRESSURE RELIEF VALVE	1	1
13	E1000120334	CARRYING STRAP	1	1
14	E1000320325	COMPLETE PUMP MODULE	1	1
15	E1000803233	HOSE SPRING	1	5
16	E1000320314	PUMP HANDLE	1	1
17	E1000120350	LARGE O-RING FOR PUMP TUBE	1	10
19	E1888319008	SCHRADER VALVE	1	10

NOTE: In the interest of continued technologic progress specifications are subject to change without notice.

Please note that marked * Not supplied with unit.

SOLVENTS 40



A Spare parts and consumables always available.

No.	Code	Description	Qty.	Qty per bag
2	E1000803085	20" BRASS SPRAY WAND	1	1
3	E1000803592	ADJUSTABLE BRASS NOZZLE WITH HOLDER	1	1
7	E1000803061	COMPLETE SPINDLE SET	1	5
19	E2888219007	11003-1102 03 DARK BLUE FAN TIP	1	10
20	E2888219038	SF 110 LIGHT BLUE FAN TIP	1	10
22*	E1000189202	COMPLETE SET OF O RINGS	1	1
23	E2888219002	TIP RIGHT ANGLE DEFLECTED 1008.05 BROWN	1	10

B Medium-use parts, available at discretion.

No.	Code	Description	Qty.	Qty. per bag
1	E1000501020	CHECK VALVE FOR LID	1	20
4	E1000501230	STRAP (2) COMPLETE	1	1
5	E1000189130	COMPLETE PUMP TUBE	1	1
6	E1000807082	COMPLETE SPRAY GUN WITH SEALS	1	1
6a	E1000807074	FILTER SPRAY GUN	1	1
8	E1000803183	HOSE SET WITH 2 HOSE CLAMPS	1	1
9	E1000189029	VITON PISTON CUP	1	20
10	E1000080201	NYLON GUIDE	1	5
11	E1000189024	CYLINDER	1	1
12	E1000189025	HOLDING CAP FOR CYLINDER	1	5
13	E1000501810	GRAY TANK LID	1	1
14	E1000501002	SEAL FOR 6" LID	1	1
15	E1000501004	STRAINER FOR TANK LID	1	1
16	E1000189115	METAL PUMP LEVER WITH LOCKING PINS	1	1
17	E1000189116	PUMP HANDLE WITH PLASTIC GRIP	1	1
18	E1000200050	AGITATOR	1	1
21	E1000803094	NOZZLE HOLDER WITH SEAL (V)	1	1

NOTE: In the interest of continued technologic progress specifications are subject to change without notice.

Please note that marked * Not supplied with unit.

9. STORAGE

Always store the sprayer clean and empty in a dry place protected from the sun.

10. WARRANTY

SWISSMEX®

Any claim made under this warranty must adhere to the Warranty Policy described below:

The warranty will be granted by SWISSMEX RAPID SA DE CV when the product presents manufacturing, assembly or material defects and this has been established after conclusive analysis at Swissmex plant (Lagos de Moreno, Jalisco, Mexico). The warranty consists of replacement of damaged parts or replacement of damaged equipment depending on conclusions of the analysis of the claim. This warranty does not include labor installation costs or shipping costs.

The warranty of your product can be PREMIUM, MEDIUM or BASIC, depending on which category your equipment belongs to. You can check this on the Operator's Manual and our website at www.swissmex.com.

The applicable warranty period can be:

Premium Line = 12 months

Medium Line = 6 months

Basic Line = 3 months

THIS WARRANTY WILL BE INVALID UNDER THE FOLLOWING CIRCUMSTANCES:

1. When the product presents faults due to abuse, misuse or inadequate maintenance, lack of proper cleaning and rinsing according to the instructions contained in the Owner's manual.
2. For the purpose of this warranty the use of any chemical solution listed as dangerous or different from those recommended in the Operator's Manual will be considered as misuse.
3. When the product has undergone modifications or adaptations by unauthorized persons or by the use of spare parts that have not been provided by SWISSMEX-RAPID.
4. When the product has been damaged as a result of natural disasters.
5. When the fault is caused by normal wear of the parts due to use.

SWISSMEX-RAPID is not responsible for indirect or consequential damages arising from the use or operation of the product, damages resulting in personal injury, economic loss, loss of property, loss of income or profits or costs of removal, installation or reinstallation.

SWISSMEX-RAPID, makes no other express warranty with the exception of the one quoted here. This warranty gives you specific legal rights and you may have other rights that vary from country to country.

To make this warranty valid, contact your dealer and present proof of purchase.

Contac us / Contáctanos:
www.swissmex.com
exports@swissmex.com.mx
Calle Swissmex No. 500
Lagos de Moreno Jal. México
Tels: +52 474 741 2216
800 849 19 92

1. INTRODUCCIÓN

Gracias por comprar un equipo Swissmex, le garantizamos que el producto que ha adquirido cuenta con calidad insuperable ya que fue desarrollado con tecnología de punta, siguiendo los estándares de calidad requeridos. Este equipo fue cuidadosamente diseñado y fabricado con el fin de proporcionar el máximo rendimiento, economía y facilidad de operación. Es importante que el operador conozca toda la información contenida en este manual, léalo antes de operarlo, siga las recomendaciones paso a paso y téngalo a la mano para consultarlo cuando sea necesario.



Este manual contiene importantes advertencias de seguridad: lea con atención y esté atento a cualquier posible accidente. Conserve todas las etiquetas del equipo y si es necesario reemplácelas.

Los pulverizadores son prácticos y ligeros. Han sido diseñados para aplicar diferentes productos líquidos como herbicidas, fungicidas, insecticidas, etc. Estos modelos tienen un sistema de bombeo de pistón interno, el cual genera buena presión. Cuenta con pistola, boca de llenado y asa para transporte y fácil vaciado del tanque.

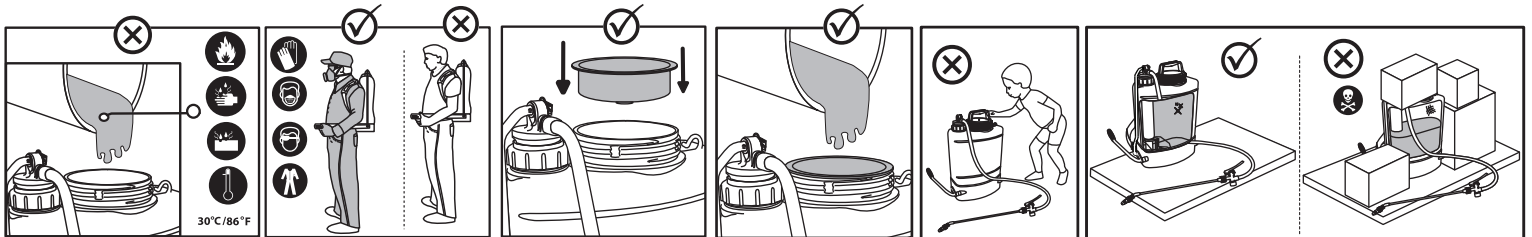
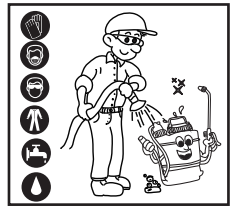
2. INFORMACIÓN DE SEGURIDAD

2.1 EQUIPO DE PROTECCIÓN

- Guantes Industriales
- Lentes de seguridad
- Zapatos cerrados
- Overol / Ropa de trabajo
- Mascarilla

2.2 MEDIDAS DE SEGURIDAD

- Lea este manual cuidadosamente antes de poner su equipo en funcionamiento.
- La manipulación incorrecta y por personas no calificadas pueden ocasionar accidentes graves.
- No haga modificaciones o adaptaciones, ya que pueden comprometer su equipo y poner en riesgo su seguridad y la de terceros, además invalidan la garantía.
- No permita la presencia de niños, ancianos, personas con capacidades especiales o animales cuando use el equipo.
- Mantenga su equipo en buenas condiciones y en un lugar seguro. Siempre lave y guarde su equipo sin presión.
- Lea y siga las instrucciones de uso del producto químico que va a usar.
- Use el equipo protector personal mencionada anteriormente cuando opere, llene o lave su aplicador.
- Mantenga las conexiones bien apretadas para prevenir fugas.
- Nunca llene su pulverizador con líquidos calientes 30°C = 85°F como máximo.
- No use su pulverizador con productos cáusticos, corrosivos o inflamables.
- No desenrosque el tuvo de bombeo con el tanque presurizado, despresurice por medio de la boquilla.



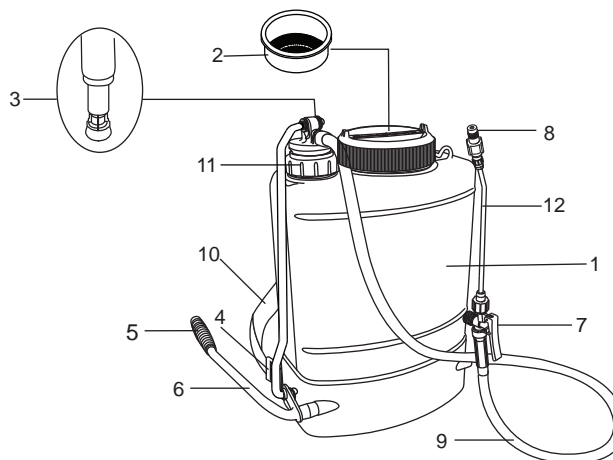
Nota Importante: Esta aspersora está diseñada para ser utilizada con químicos en concentraciones no mayores a 5% que sean compatibles con los materiales de las partes este equipo, utilizar productos que no sean compatibles con estos materiales pueden causar daños al usuario y al equipo. Las garantías de este producto aplicaran únicamente si se utilizan los químicos compatibles con este producto.

3. INFORMACIÓN GENERAL

3.1 COMPONENTES PRINCIPALES

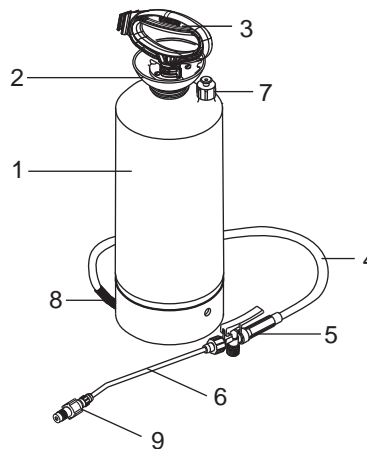
189305 Solvents sprayer:

1. Tanque
2. Boca de tanque, tapadera y coladera
3. Sistema de bombeo
4. Gancho para cinta
5. Mango ergonómico
6. Palanca de bombeo
7. Pistola con porta filtro
8. Boquerel ajustable
9. Manguera
10. Cintas ajustables
11. Varilla de bombeo
12. Tubo rociador



Compression sprayers:

1. Tanque
2. Boca del tanque
3. Maneral de varilla
4. Manguera
5. Pistola con porta filtro
6. Tubo rociador con boquerel
7. Válvula de alivio
8. Resorte
9. Boquerel ajustable



3.2 DATOS TÉCNICOS

ESPECIFICACIONES	SOLVENTS				
	319310	320305	322315	189335	322320
Modelo	319310	320305	322315	189335	322320
Capacidad de uso	1.3 GAL / 5 L	1.5 GAL / 6 L	2.9 GAL / 9 L	3.9 GAL / 15 L	2.3 GAL / 9 L
Cintas	Poliéster no absorbente, de 38 mm				
Sistema de bombeo	Pistón				
Sistema de bombeo	Elastómero, 38 mm diámetro		Elastómero, 45 mm diámetro		Elastómero, 38 mm diámetro
Presión de trabajo	1.5 - 2.5 bar - 22 - 36 psi		1-6 bar - 87 psi		1.5 - 2.5 bar - 22 - 36 psi
Peso aproximado	2.1 kg / 4.6 lb	2.4 kg / 5.3 lb	3.1 kg / 6.8 lb	4.6 kg / 10.1 lb	3.1 kg / 6.8 lb
Manguera	Poliétileno, 1.5 m = 59" longitud				
Pistola	Válvula de gatillo, con seguro para asperjado continuo				
Tubo rociador	Latón 52 cm = 20.5"				
Punta	Ajustable de latón y abanico				
Sellos	FPM				

3.3 ENSAMBLE

3.3.1 Partes que usted recibirá

Solvents Mod. 189335 / Acetone Mod.189310:

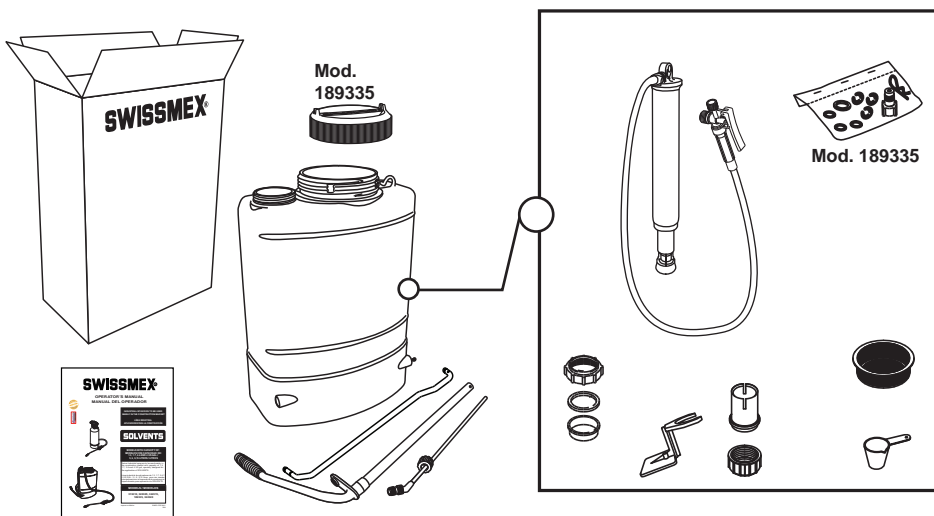
- 1 Palanca de bombeo
- 1 Tubo rociador
- 1 Tapadera
- 1 Varilla de bombeo
- Folleto

Dentro del tanque usted encontraría:

- 1 Coladera
- 1 Taza dosificadora
- 1 Agitador

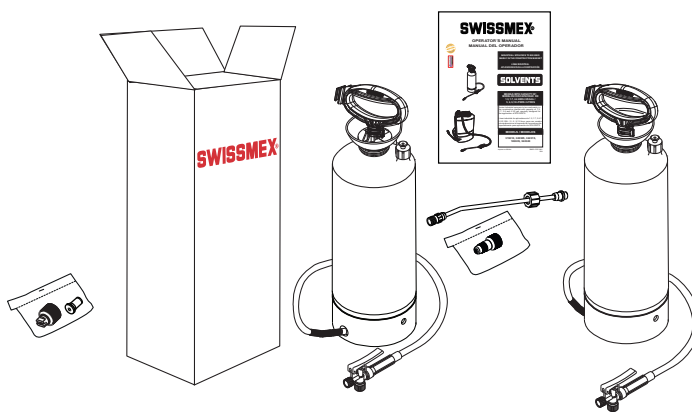
Una bolsa de plástico conteniendo:

- 1 Boquerel ajustable con tuerca para mod.189335
ó Tuerca y punta si es mod. 189310
- 3 Seguros "C"
- 3 Rondanas
- 1 Rondana segura
- 1 Seguro "R"



Aplicadores de compresión

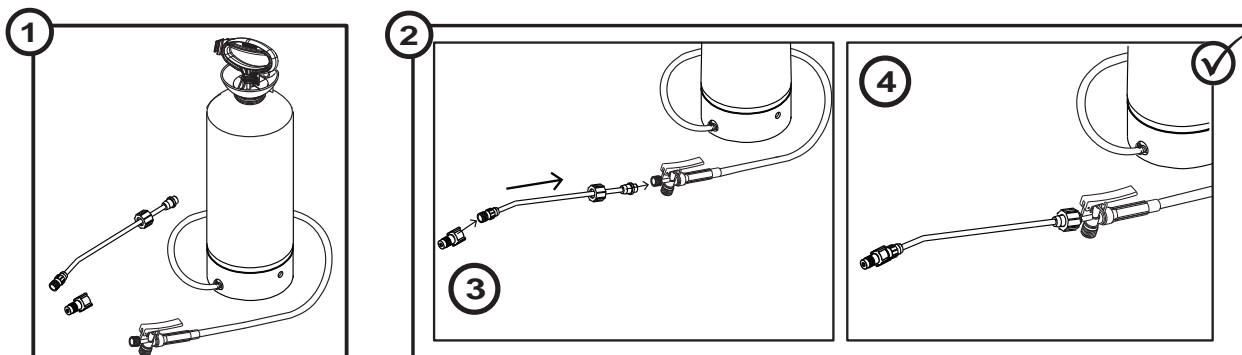
- Tanque con maneral completo, válvula de alivio, manguera y pistola
- 1 Tubo rociador
- 1 Boquerel ajustable
- 1 Tuerca con punta de cono hueco
- 1 Tuerca con punta de abanico plástico
- Manual del operador



3.3.2 Como ensamblar su aplicador:

Aplicadores de compresión:

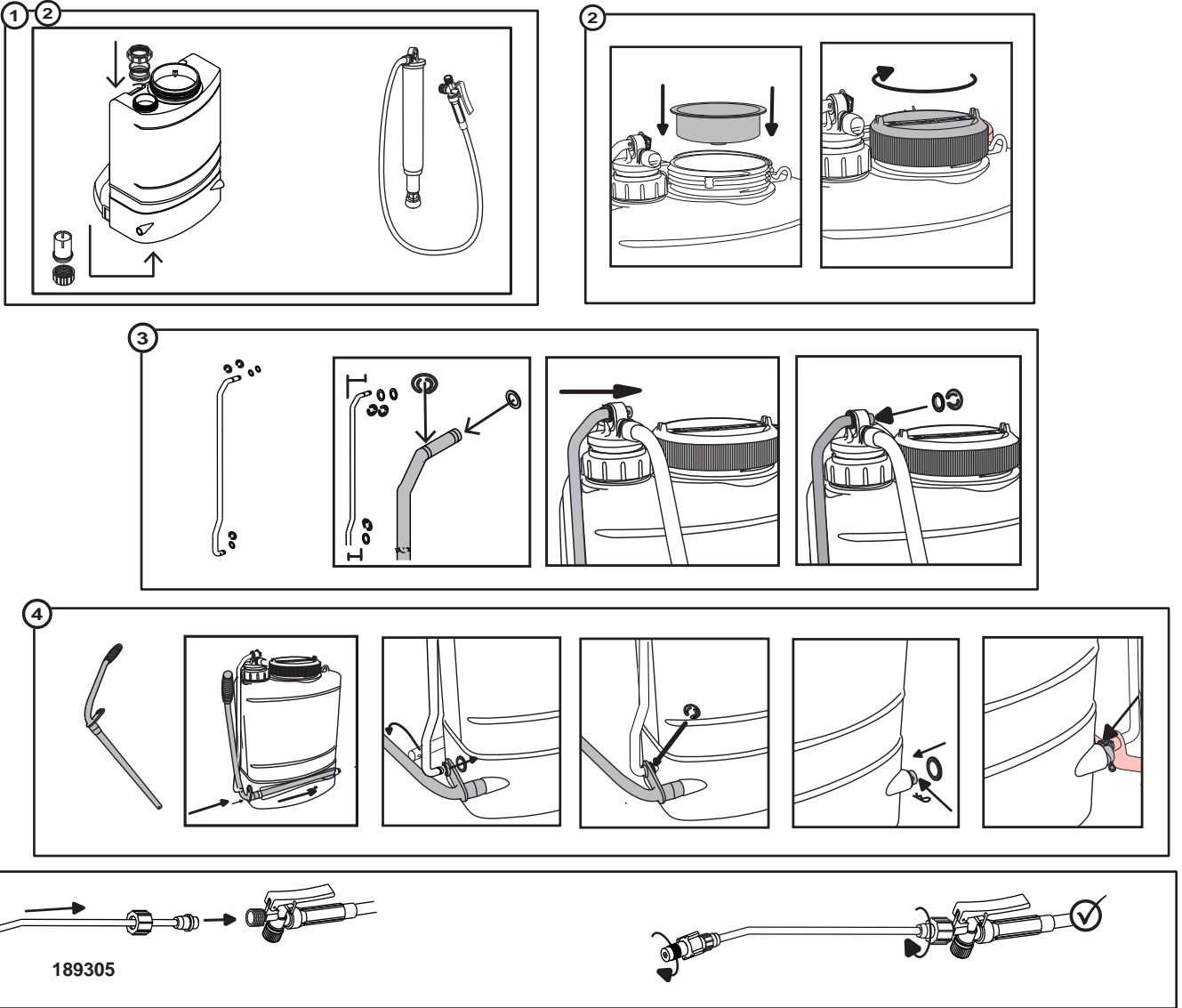
1. Saque todas las partes de la caja y del tanque.
2. Coloque el aplicador en posición vertical sobre una mesa, enrosque el tubo rociador en la pistola y apriete firmemente.
3. Enseguida saque el boquerel de la bolsa y enrosque en el tubo rociador.
4. Su aspersora está lista para usarse.



Aplicador de Mochila:

- 1.- Saque la partes sueltas que van dentro del tanque.
- 2.- Acueste la aspersora sobre una mesa o alguna superficie plana. Coloque el cilindro, en la perforación inferior del tanque y fíjelo firmemente con la tuerca porta cilindro. Con la aspersora en posición vertical, coloque la reducción guía y la tuerca guía con el estopero. Lubrique el anillo pistón y el tubo de bombeo e introduzca el tubo de bombeo en el cilindro; guiando el pistón para evitar cualquier daño. Inserte el agitador y apriete la tuerca guía. Coloque la coladera en la boca del tanque y enseguida la tapadera.
- 3.- Inserte la varilla de bombeo al tubo de bombeo con una rondana de perforación menor a cada lado y fíjela con los seguros "C".

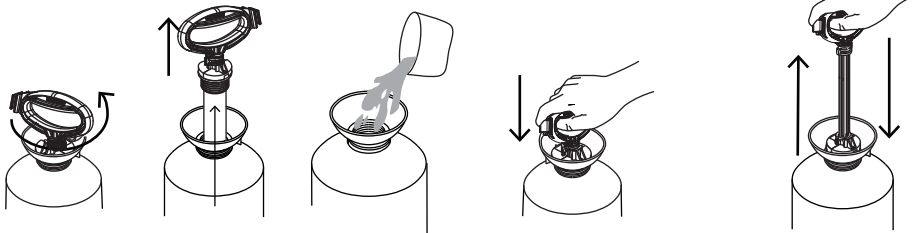
- 3.- Inserte la varilla de bombeo al tubo de bombeo con una rondana de perforación menor a cada lado y fíjela con los seguros "C".
- 4.- Coloque la palanca de bombeo asegurándola con rondana de perforación menor y el seguro "C" contra la varilla de bombeo y en el extremo de su eje con rondana de perforación mayor y chaveta.
- 7.- Ensamble el boquerel en el tubo rociador o tuerca con punta de acuerdo a su equipo. Apriete ligeramente sin herramientas.
- 8.- Ensamble el tubo rociador a la pistola y apriete en forma manual asegurándose que el empaque este en su lugar.



4. OPERACIÓN

Compression sprayer:

- Mezcle la solución en un recipiente por separado siguiendo las instrucciones del fabricante del producto.
- Desenrosque el tubo de bombeo y sáquelo del tanque.
- Vacíe la solución pre-mezclada hasta el nivel indicado en el tanque.
- Coloque nuevamente el tubo de bombeo y enrósquelo bien, posteriormente presurice la unidad.
- Sujete el pulverizador del maneral y comience a aplicar.
- Gire el boquerel para cambiar el patrón de aspersión.



NOTA:
El tubo de bombeo debe estar bien apretado de lo contrario su aplicador presentará fugas y no tendrá presión.

NOTA:
Para asegurar un mejor funcionamiento use solo refacciones originales "SWISSMEX-RAPID"

Aplicador de mochila:

- Use siempre la coladera cuando llene el tanque.
- Mezcle la solución en un recipiente por separado siguiendo las instrucciones del fabricante del producto.
- Vacíe la solución pre-mezclada en el tanque del aplicador y coloque la tapa.
- Colóquese el pulverizador en la espalda y presurícela bombeando de 15 a 20 bombazos.
- Necesitará bombear cada 3 o 4 segundos para mantener la presión deseada.
- Para una aplicación continua, asegure la palanca de la pistola con el gancho seguro.
- Gire el boquedel para cambiar el patrón de aplicación.

NOTA:
Para asegurar un mejor funcionamiento use solo refacciones originales "SWISSMEX-RAPID"-

5. SERVICIO

El aplicador no requiere de mucho mantenimiento, si usted sigue a detalle los pasos que le mencionamos en este manual, la vida útil de su equipo será muy prolongada. Al terminar su jornada de trabajo, no deberá dejar el aplicador con presión, por lo tanto, deberá dejar salir toda la presión por la boquilla, posteriormente quite la tapa y la coladera del tanque y voltéela, para vaciar la solución restante en un recipiente apropiado para ello.

Ahora deberá enjuagar todo el sistema del aplicador con agua limpia, de la siguiente manera:

- Vacíe 2 litros de agua limpia en el tanque y palanquee para dar presión, ahora deje salir el agua limpia por el tubo rociador activando la palanca de la pistola, continúe por lo menos 2 minutos, voltee nuevamente el tanque para vaciar el resto del agua. Si usted realiza ésta actividad prolongará la vida de los empaques y arosellos y dará menos mantenimiento.
- Las cintas del aplicador están fabricadas de material NO absorbente, sin embargo en caso de que se derrame solución deberá lavar las cintas y el tanque con agua para eliminar todo riesgo de posible de irritación en la piel.
- Se recomienda que cuando haya usado el aplicador con herbicidas, no use la misma para aplicar insecticidas, a menos que haya lavado perfectamente el tanque con productos neutralizantes, de no hacerlo corre el riesgo de dañar su cultivo.
- Siga siempre las instrucciones de uso de los productos que está aplicando, para evitar accidentes y aprovechar el producto al máximo.
- Cuando vaya a guardar su aplicador asegúrese que esté limpia, vacía y seca en un lugar protegido por el sol.

5.1 GUÍA DE SERVICIO

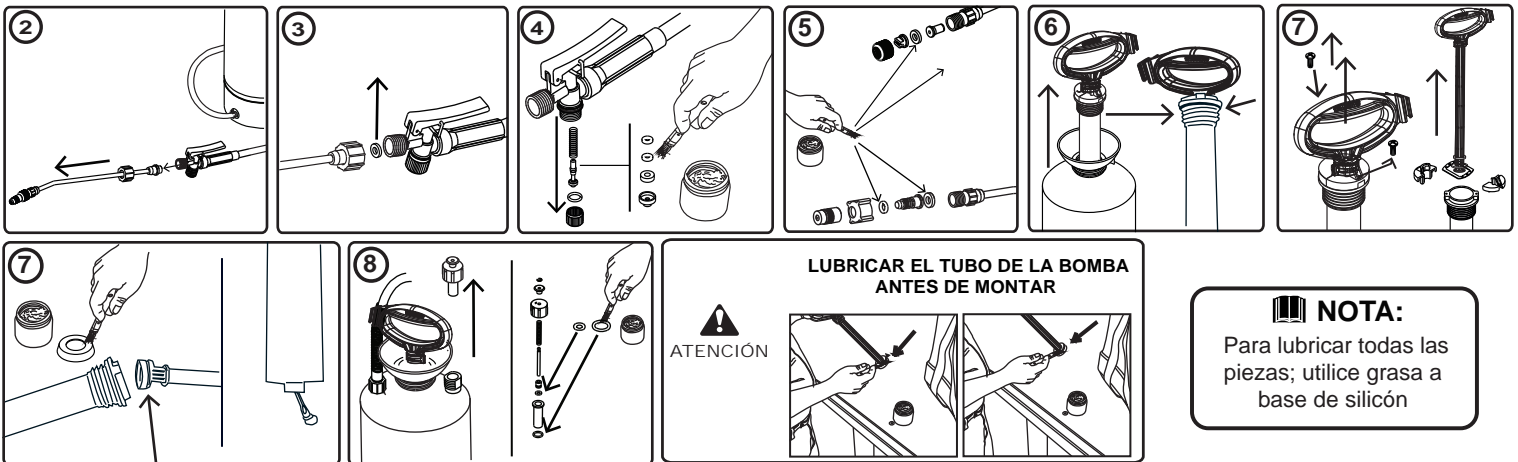
NOTA: Para mantener su pulverizador en "óptimas" condiciones de uso es necesario mantener engrasadas "siempre" las siguientes piezas: Arosellos del boquedel, Arosellos de la pistola, Anillo pistón, Válvula de respiración y Empaque de la tapa.

Lave con agua limpia la aspersora tanto exterior como interiormente, para poder manipularla sin peligro de contaminación. Se recomienda que al realizar la reparación, sean reemplazadas todas las piezas del juego de empaques el cual se compone de:

- Anillo pistón, - Arosellos para pistola, - Arosellos tubo de bombeo, - Arosellos para vástago,
- Empaque para boquedel o punta - Empaques y Arosello para válvula de alivio

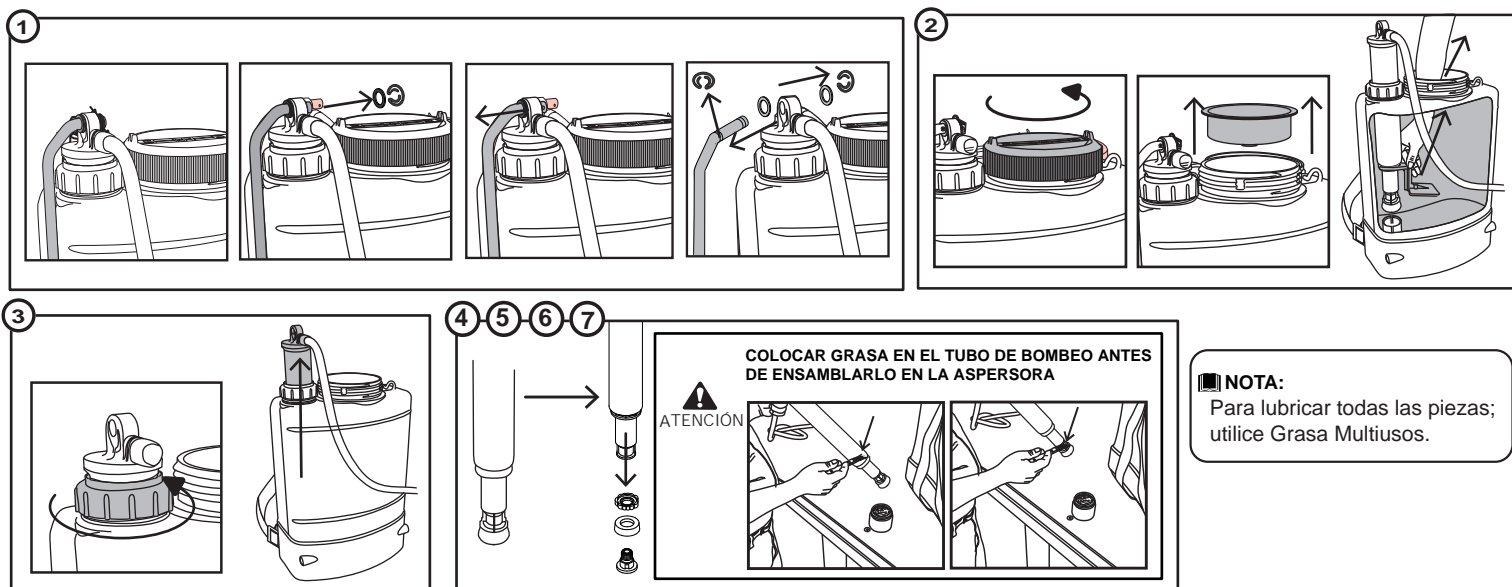
Instrucciones para aplicadores de compresión:

- 1.- Cambie las piezas de desgaste en el tubo de bombeo, pistola, tubo rociador o boquilla si su aplicador presenta fugas o como mantenimiento preventivo.
- 2.- Separe el tubo rociador de la pistola desenroscando la tuerca.
- 3.- Cambie el empaque localizado entre la tuerca y la pistola.
- 4.- La pistola se conforma de varias piezas, retire el tapón inferior y cambie el empaque, saque el vástago y reemplace los dos arosellos y el empaque. Lubrique antes de ensamblar.
- 5.- Desenrosque la boquilla y sustituya el arosello y el empaque, lubrique.
- 6.- Retire el tubo de bombeo del tanque y sustituya el arosello que se localiza en la parte superior, lubrique antes de ensamblar.
- 7.- Retire los tornillos del tubo de bombeo, saque el maneral, sustituya y lubrique el anillo pistón que se localiza en la parte inferior. Retire la antenita del extremo inferior del tubo de bombeo y sustituya el arosello.
- 8.- Para los modelos 319 y 320, retire la válvula de alivio para lubricar o cambiar los arosellos si es necesario.



Instrucciones de desarmado:

- 1.- Coloque la aspersora en posición vertical en una superficie plana. Retire las rondanas y seguros "C" de la parte superior de la varilla de bombeo. Saque la varilla del ojillo del tubo de bombeo, cuidando de no perder las rondanas y los seguros.
- 2.- Quite la tapa y la coladera, proceda a quitar el agitador.
- 3.- Afloje la tuerca guía del tanque. Jale el tubo de bombeo.
- 4.- Afloje el tornillo porta-piston. (Aflójele colocando la ranura de éste sobre el canto del balancín de la palanca de bombeo, girando el tubo en contra de las manecillas del reloj).
- 5.- Para inspeccionar la válvula de retención, quite el tornillo porta-pistón y asegúrese de que el sello esté limpio y en buenas condiciones.
- 6.- Cuide al volver a ensamblar que el disco del pistón se coloque con el filo hacia la cara del pistón.
- 7.- Para volver a armar la aspersora siga los pasos 3 y 4.



6. POSIBLES PROBLEMAS Y SOLUCIONES

Aplicadores de compresión

PROBLEMA	CAUSA	SOLUCIÓN
El pistón no se desliza con facilidad y hay ruido entre el tubo de bombeo y el pistón.	El anillo pistón ha perdido su lubricación con el tubo de bombeo.	Revise el anillo pistón y si está gastado reemplácelo y engráselo si no solamente engrase los bordes
Fuga por el sistema de bombeo.	La antenita no sella perfectamente en el asiento del tubo de bombeo.	Revise la antenita de ser necesario cambie el arosello, engrase y vuelva a colocarla.
La válvula no cierra al soltar la palanca.	Los arosellos del vástago de la pistola están gastados o hinchados.	Reemplace y lubrique los nuevos arosellos y el vástago.
El aplicador tiene suficiente presión pero no hay salida de líquido por la válvula.	La manguera está obstruida.	Afloje la abrazadera y revise si la manguera o el pivote de la salida del tanque están tapados de ser así proceda a destaparlos con aire o agua a presión
Aunque se bombee vigorosamente no se genera presión	El tubo de bombeo no está lo suficientemente apretado.	Apriete bien el tubo colocando grasa en el arosello.

Aplicador de mochila 189

PROBLEMA	CAUSA	SOLUCIÓN
Al bombear el tanque se colapsa.	La válvula de respiración está bloqueada.	Lubríquela o reemplácela si está dañada
El anillo pistón no se desliza suavemente y se requiere gran esfuerzo al bombear.	El químico usado hizo que el anillo pistón aumentará de tamaño.	Reemplace el anillo pistón, primero lubríquelo.
El anillo pistón se desliza con demasiada suavidad y no genera presión.	El anillo pistón está desgastado o encogido.	Reemplace el anillo pistón, primero lubríquelo.
Aunque se bombea vigorosamente no se genera presión.	La canica está atorada o hay basura en la tuerca porta-canica y esto evita que asiente apropiadamente.	Limpie la tuerca porta-canica y la canica, reemplácela si es necesario.
Al bombear se oye un rechinido entre el tubo de bombeo y la tuerca guía.	El tubo de bombeo y la tuerca guía necesitan lubricación.	Lubrique ambos.
La pistola no cierra al soltar la palanca.	Los arosellos del vástago de la pistola están gastados o hinchados.	Reemplace y lubrique los nuevos arosellos y el vástago.
La pistola no funciona al apretar la palanca.	El filtro o el boquerel están obstruidos.	Saque el filtro de la pistola, límpielo, reemplácelo si está dañado. Limpie el boquerel.

7. ACCESORIOS

CINTAS



E1000501230 Cinta Janisset
E1000501268 Cinta Janisset
económica



E1000501336 Cinta Janisset con
gancho tipo argolla

E1000080034 Cinta completa
E1000120334 Cinta económica
E1000501034 Cinta completa
con hombrera
E1000501134 Cinta completa
sin hombreras
E1000501135 Kit con 10 cintas

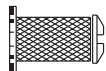
EXTENSIONES

Extensiones para línea de construcción



E1000219511 latón con empaques EPDM para Acetona 1.0m
E1000219512 latón con empaques FKM para Solventes 1.0m
E1000219513 PVC con empaques de NBR para Ácidos 1.0m

FILTROS



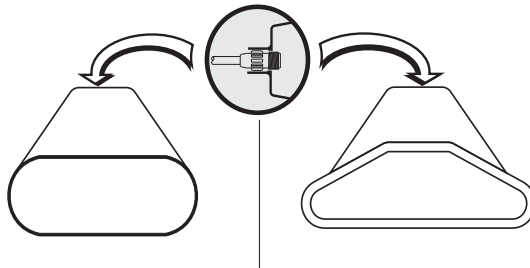
E2888219011 Antigoteo 50 mesh azul
E2002219026 Antigoteo 80 mesh amarillo
E2002219027 Antigoteo 100 mesh verde
E2888219012 Sin Antigoteo 50 mesh azul
E2002219078 Sin Antigoteo 80 mesh amarillo



E2888219013 Sin Antigoteo de 73 mm
50 mallas

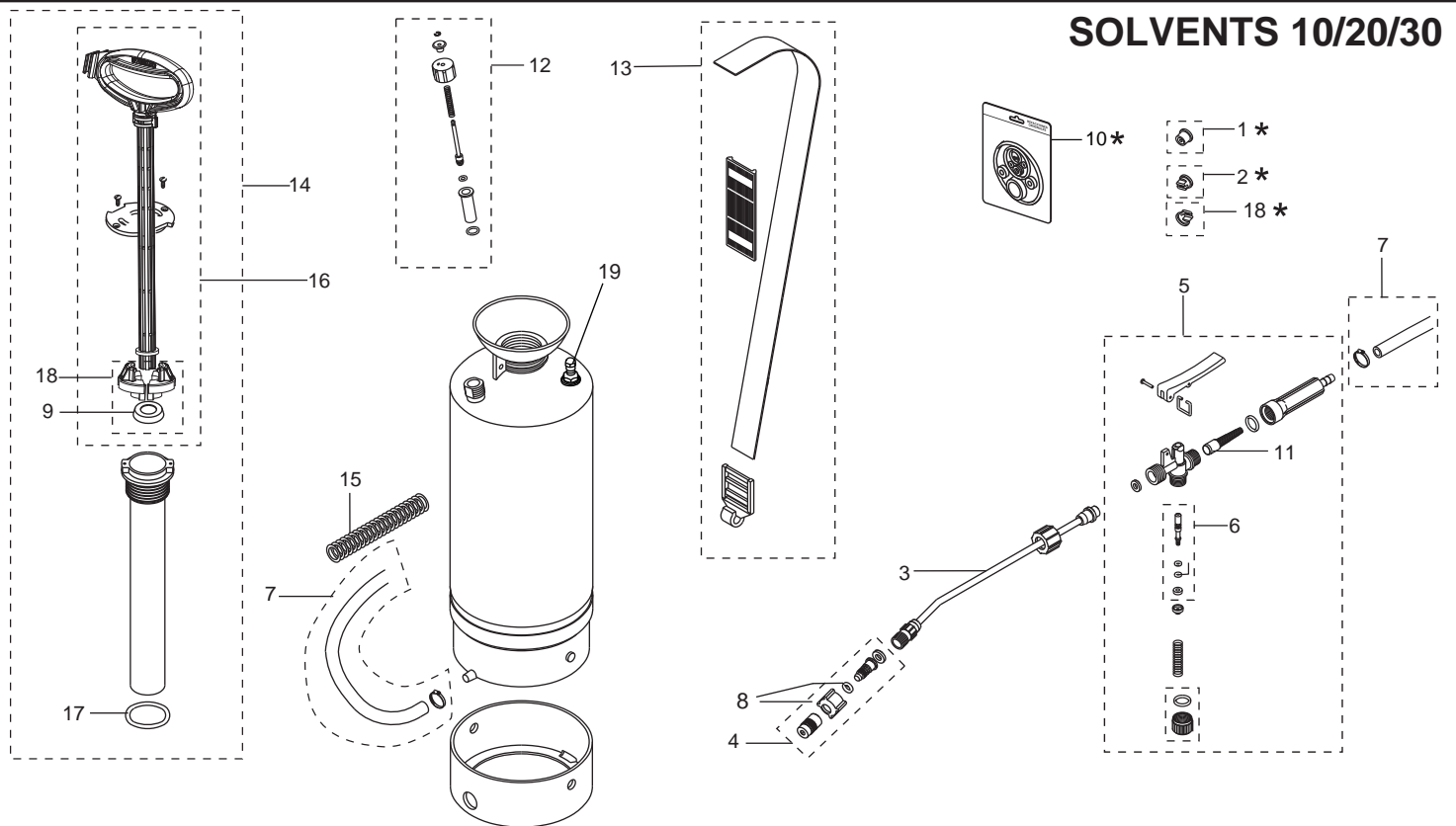
PANTALLAS PROTECTORAS

E1000219099 de 40 cm
E1000219110 de 40 cm traslúcida
E1000219117 de 22 cm (3/8")



NOTA: Estos Accesorios no son exclusivos de nuestra línea de construcción. Para más información, por favor comuníquese con nuestro representante de venta o en nuestra página: www.swissmex.com

8. REFACCIONES



A Piezas de desgaste y consumibles siempre disponibles.

No.	Código	Descripción	Pzas. por equipo	Pzas. por empaque
1 *	E2888219007	PUNTA SF 11010	1	10
2 *	E2888219038	PUNTA SF 110 AZUL CLARO	1	10
8	E1000803094	TUERCA BOQUEREL	1	1
9	E1000120029	PISTÓN	1	20
10 *	E1000320202	EMPAQUES PARA SOLVENTES	1	1
18	E2888219002	PUNTA 1008.05 BRO	1	10

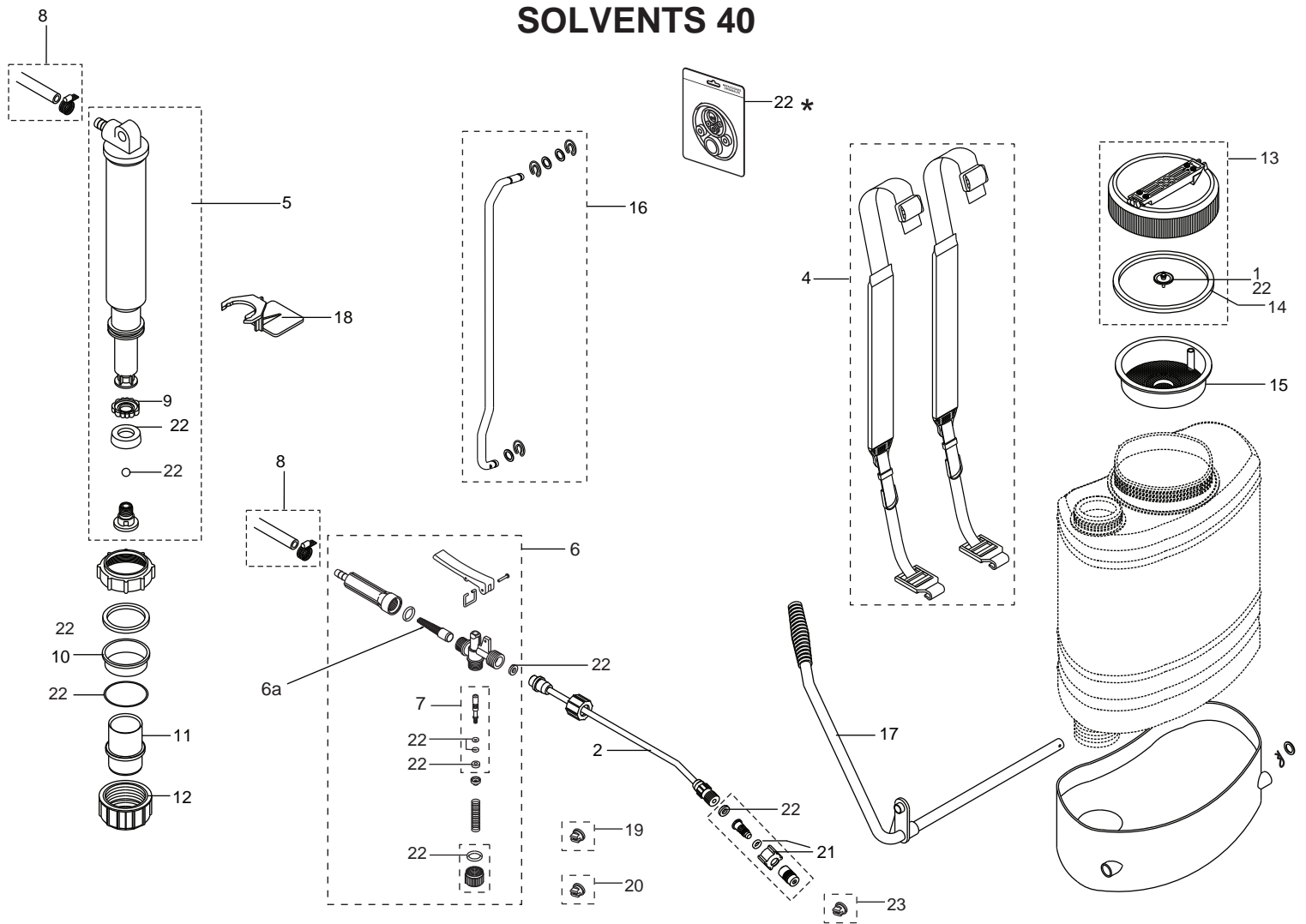
B Piezas de desgaste y consumibles siempre disponibles.

No.	Código	Descripción	Pzas. por equipo	Pzas. por empaque
3	E1000803085	TUBO ROCIADOR DE 20"	1	1
4	E1000803592	BOQUEREL COMPLETO LATÓN V	1	1
5	E1000807082	PISTOLA CON ESPIGA 3/8"	1	1
6	E1000803061	VÁSTAGO COMPLETO LATÓN	1	5
7	E1000803183	MANGUERA CON ABRAZADERA	1	1
11	E1000807074	PISTOLA DE PULVERIZACIÓN CON FILTRO	1	10
12	E1000120324	VÁLVULA DE ALIVIO	1	1
13	E1000120334	CINTA	1	1
14	E1000320325	TUBO DE BOMBEO COMPLETO	1	1
15	E1000803233	RESORTE PARA MANGUERA	1	5
16	E1000320314	MANERAL COMPLETO	1	1
17	E1000120350	AROSSELLO P/TUBO DE BOMBEO	1	10
19	E1888319008	VÁLVULA SCHRADER	1	10

NOTA: Debido al interés en el progreso tecnológico, la empresa se reserva el derecho hacer cambios o modificaciones técnicas sin previo aviso.

Las piezas marcadas con * no vienen incluidas en el equipo

SOLVENTS 40



A Piezas de desgaste y consumibles siempre disponibles.

No.	Código	Descripción	Pzas. por equipo	Pzas. por paquete
2	E1000803085	TUBO ROCIADOR	1	1
3	E1000803592	BOQUEREL COMPLETO LATÓN V	1	1
7	E1000803061	VÁSTAGO COMPLETO LATÓN PARA SOLVENTES	1	5
19	E2888219007	PUNTA SF11003-1102.03	1	10
20	E2888219038	PUNTA SF 110 AZUL CLARO	1	10
22*	E1000189202	JUEGO COMPLETO DE EMPAQUES	1	1
23	E2888219002	PUNTA 1008.05 BRO	1	10

B Piezas de desgaste y consumibles siempre disponibles.

No.	Código	Descripción	Pzas. por equipo	Pzas. por paquete
1	E1000501020	CHAMPIÑÓN	1	10
4	E1000501230	CINTA JANISSET	1	1
5	E1000189130	TUBO DE BOMBEO COMPLETO	1	1
6	E1000807082	PISTOLA CON ESPIGA 3/8"	1	1
6a	E1000807074	FILTRO PARA PISTOLA	1	1
8	E1000803183	MANGUERA C/ABRAZADERAS	1	1
9	E1000189029	PISTÓN VITÓN	1	20
10	E1000080201	GUÍA DE NYLON	1	5
11	E1000189024	CILINDRO	1	1
12	E1000189025	TUERCA PORTA CILINDRO	1	5
13	E1000501810	TAPA GRIS	1	1
14	E1000501002	EMPAQUE PARA TAPADERA	1	1
15	E1000501004	COLADERA	1	1
16	E1000189115	VARILLA DE BOMBEO	1	1
17	E1000189116	PALANCA DE BOMBEO	1	1
18	E1000200050	AGITADOR PARA SOLVENTES	1	1
21	E1000803094	TUERCA BOQUEREL	1	1

NOTA: Debido al interés en el progreso tecnológico, la empresa se reserva el derecho hacer cambios o modificaciones técnicas sin previo aviso.
Las piezas marcadas con * no vienen incluidas en el equipo

9. ALMACENAMIENTO

Procure siempre dejar su equipo en un lugar techado para que el sol y la lluvia no lo deterioren.

10. GARANTÍA

SWISSMEX®

Para hacer válida su garantía deberá apegarse a la Póliza de Garantía descrita a continuación:

La garantía será concedida por SWISSMEX RAPID SA DE CV, gratuitamente, cuando las piezas y los componentes presenten defectos de fabricación o de montaje y después de análisis conclusivo en planta (Lagos de Moreno, Jalisco). La garantía consiste en la sustitución de piezas dañadas por nuevas, o cambio del equipo dañado por uno nuevo, una vez que se haya verificado y evaluado el tipo de daño en el equipo, no incluye mano de obra o transporte.

La garantía de su equipo puede ser PREMIUM, MEDIUM o BASIC, dependiendo de la categoría de su equipo, en la portada de su manual viene descrito a qué categoría pertenece, también puede consultarlo en la página web.

Línea Premium = 12 meses

Línea Medium= 6 meses

Línea Basic = 3 meses

ESTA GARANTÍA SERÁ INVÁLIDA BAJO LAS SIGUIENTES CONDICIONES

1. Cuando el producto presente fallas por abuso, mal uso o mantenimiento inadecuado, falta de limpieza y enjuague apropiados de acuerdo a las instrucciones contenidas en el Manual del Operador.
2. Para el propósito de esta garantía el uso de cualquier solución química listada como peligrosa o diferente de las recomendadas en el manual del usuario será considerado como mal uso.
3. Cuando el producto haya sufrido modificaciones o adaptaciones por parte de personas no autorizadas o por el uso de repuestos que no hayan sido provistos por SWISSMEX-RAPID.
4. Cuando el producto haya sido dañado como consecuencias de desastres naturales.
5. Cuando la falla sea originada por el desgaste normal de las piezas debido al uso.

SWISSMEX-RAPID no se hace responsable por daños indirectos o consecuenciales que surgieran por el uso o funcionamiento del producto, otros daños resultantes en lesiones personales, pérdida económica, pérdida de propiedad, pérdida de ingresos o ganancias o costos de remoción, instalación o re-instalación.

SWISSMEX-RAPID, no hace ninguna otra garantía expresa a excepción de la aquí citada. Esta garantía otorga derechos legales específicos y usted puede tener otros derechos que varían de país a país.

Para hacer válida esta garantía contacte a su vendedor y presente el comprobante de compra.

Contac us / Contáctanos:
www.swissmex.com
exports@swissmex.com.mx
Calle Swissmex No. 500
Lagos de Moreno Jal. México
Tels: +52 474 741 2216
800 849 19 92

