

SWISSMEX®

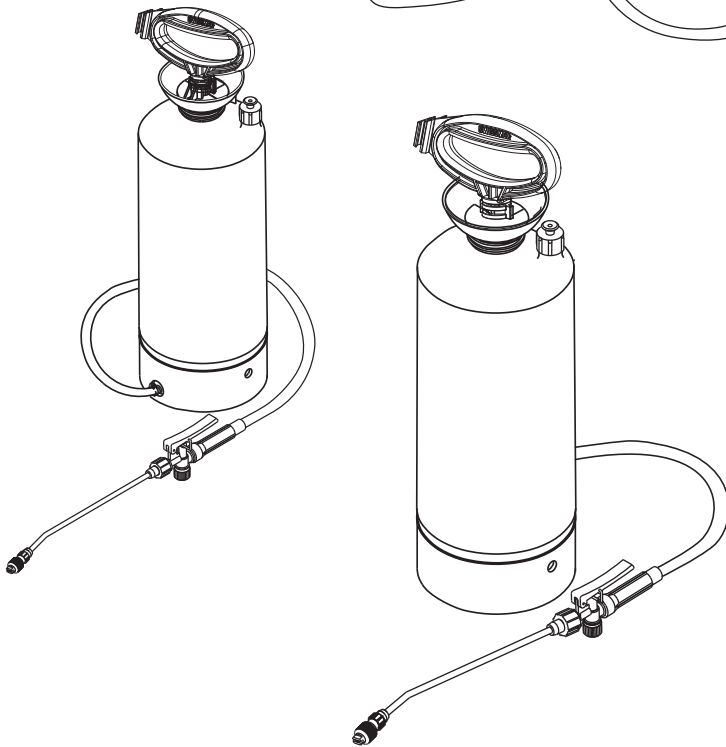
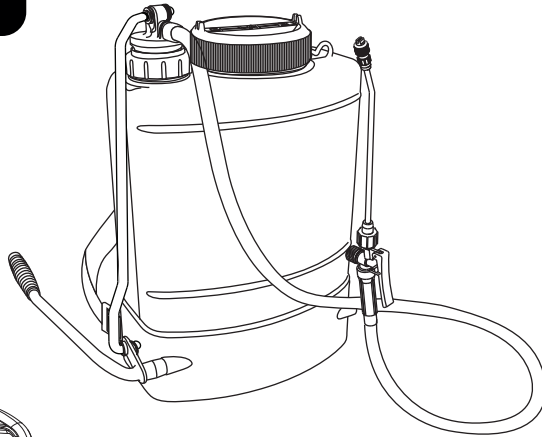
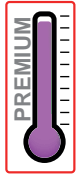
OPERATOR'S MANUAL MANUAL DEL OPERADOR

**2 YEAR
WARRANTY**

SEE INSIDE FOR DETAILS

**2 AÑOS
GARANTÍA**

CONSULTE EL
MANUAL EN EL INTERIOR



**INDUSTRIAL SPRAYERS TO BE USED
MAINLY IN THE CONSTRUCTION MARKET**

**LÍNEA INDUSTRIAL
APLICADORES PARA LA CONSTRUCCIÓN**

ACETONE

**MODELS WITH CAPACITY OF:
MODELOS CON CAPACIDAD DE:
1.3, 1.7, 2.4 AND 4 US GAL /
5, 6, 9,15 LITERS**

Series Industrial sprayers to be used mainly in the construction market with capacity of 1.3, 1.9, 2.3 Y 3.5 US GAL, specially designed for the application of ACETONE.

Línea industrial de aplicadores para ser usados principalmente en el mercado de la construcción, diseñados especialmente para la aplicación de ACETONA.

MODELS / MODELOS

319305, 322310, 189310

INDEX / ÍNDICE

ENGLISH VERSION

1. Introduction.....	1
2. Safety Information	1, 2
2.1 Protection equipment	
2.2 Safety measures	
3. General information	2, 3, 4
3.1 Main components	
3.2 Technical data	
3.3 Assembly	
3.3.1 Parts you are receiving	
3.3.2 How to assemble the sprayer	
4. Operation	5
5. Service.....	6, 7
5.1 Service guide	
6. Common problems, possible causes and solutions	7
7. Accessories.....	8, 9
8. Spare parts.....	10
9. Storage.....	11
10. Warranty	11

VERSIÓN EN ESPAÑOL

1. Introducción.....	12
2. Información de Seguridad	12
2.1 Equipo de protección	
2.2 Medidas de seguridad	
3. Información General	13
3.1 Componentes principales	
3.2 Datos Técnicos	
3.3 Ensamble	
3.3.1 Partes que usted recibirá	
3.3.2 Cómo ensamblar su aplicador	
4. Operación	14, 15
5. Servicio.....	16
5.1 Guía de servicio	
6. Posibles problemas y soluciones.....	17
7. Accesorios.....	18
8. Refacciones.....	19, 20
9. Almacenamiento.....	21
10. Garantía	21

1. INTRODUCTION

Thank you for buying a Swissmex equipment, we guarantee that the product you have acquired was made with an unbeatable quality, because it was developed with state of the art technology following all quality standards required. This equipment was carefully designed and built with the purpose of providing the maximum performance, economy and ease of operation. It is very important that the operator knows all the information contained in this manual, read it before operate it, follow the recommendations step by step and keep it at hand to consult it when necessary.



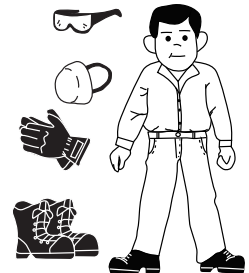
This manual contains important safety warnings, please read it carefully to avoid any possible accident. Keep all warning stickers and if necessary replace them.

Each Industrial Series model has been designed to apply a specific kind of chemical whether it be solvents, acids or acetone. Using the correct chemical for each model will make sure the success of the application and the maintenance in good condition of the equipment.

2. SAFETY INFORMATION

2.1 PROTECTION EQUIPMENT

- Industrial gloves
- Safety glasses
- Closed toe footwear
- Safety Clothes
- Safety mask



2.2 PROTECTION EQUIPMENT

- Read this manual carefully before operating the equipment.
- Incorrect handling by not qualified persons may cause serious accidents.
- Do not make modifications or adaptations because they can compromise your equipment and put your safety and that of a third party at risk. They also invalidate the warranty.
- Do not allow the presence of children, the elderly, people with disabilities or animals when using the equipment.
- Keep your equipment in good condition and in a safe place. Always wash and store your equipment without pressure.
- Read and follow the instructions of the chemical product you are going to apply.
- Wear the personal protective equipment mentioned above when using, filling or washing your sprayer
- Keep connections tight to prevent leaks.
- Never fill your sprayer with hot liquids, maximum: 30 ° C = 85 ° F.



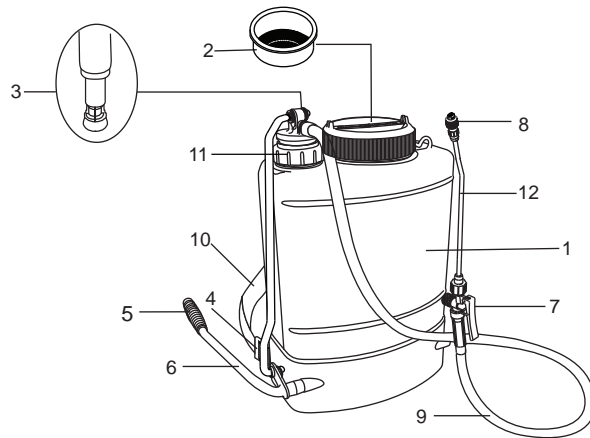
Important: this sprayer is designed to be used with chemicals and products in concentrations not higher than 5% than marked, that are compatible with the materials of this unit, using products that are not compatible with these materials can cause damage to the user and the unit. Warranty will apply only when the chemicals and products used with this unit are compatible with it.

3. GENERAL DATA

3.1 MAIN COMPONENTS

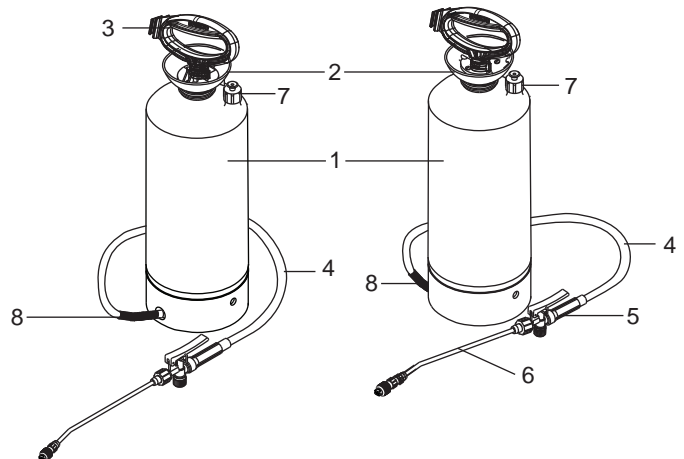
189310 Acetone sprayer:

1. Tank
2. Filling port, tank lid & strainer
3. Pump system
4. Strap hook
5. Ergonomic grip
6. Pump handle
7. Shut-off valve
8. Adjustable nozzle
9. Hose
10. Adjustable carrying straps
11. Connecting rod
12. Spray lance



Compression sprayers:

1. Tank
2. Filling port
3. Complete pump handle
4. Hose
5. Shut-off valve with filter holder
6. Spray lance with nut and tip
7. Pressure relief valve
8. Spring



3.2 TECHNICAL DATA

ESPECIFICACIONES			
Model number:	319295	322305	189310
Useful capacity	1.3 GAL / 5 L	2.9 GAL / 9 L	3.9 GAL / 15 L
Carrying straps	Non-absorbent polyester, 38 mm wide		
Pump system	Piston		
Piston sleeve	Elastomer, 38 mm diameter	Elastomer 45 mm	
Working pressure	1.5 a 2.5 bar - 22 a 36 psi		1 a 6 bar -87 psi
Approx. weight	2.3 kg 5 lb	3.1 kg 6.8 lb	5 kg - 11lb
Hose	EPDM, 1.5 m = 59" long		
Shut-off	On/off valve with filter, lock for continuous spraying		
Spray lance	Brass 52 cm=20.5"		
Nozzle	Fan plastic & hollow cone ceramic		

3.3 ASSEMBLY

3.3.1 Parts you are receiving

189310 Acetone sprayer:

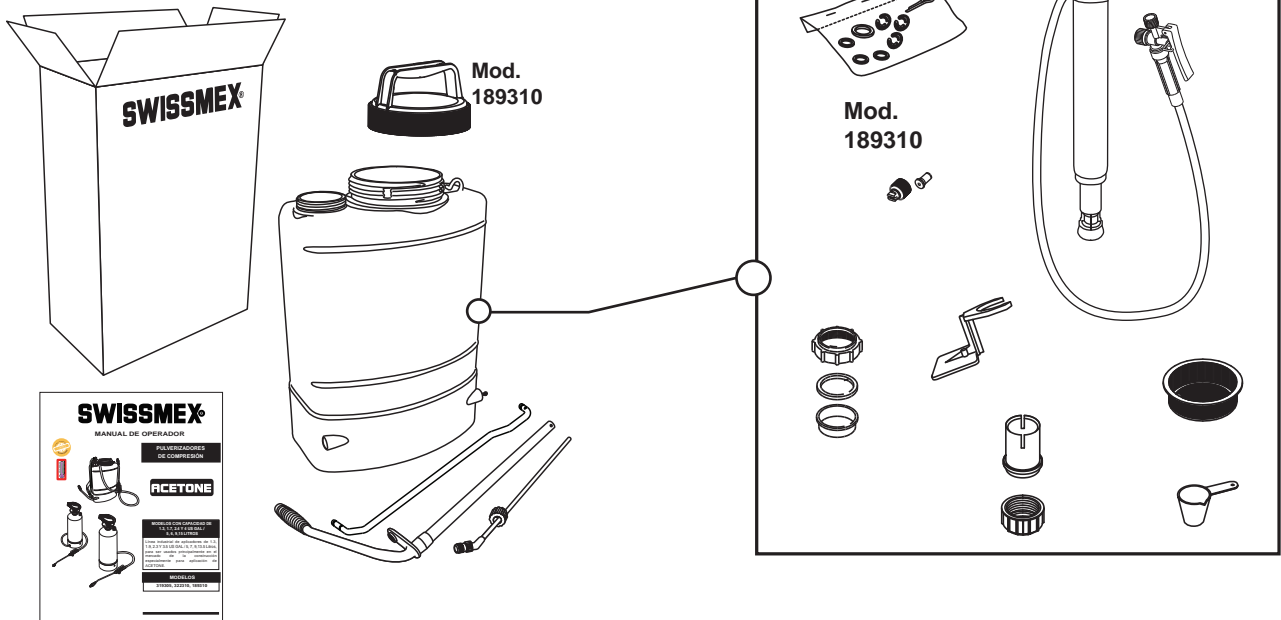
- 1 Pump handle
- 1 Spray lance
- 1 Tank lid
- 1 Connecting rod
- Brochures

Inside the tank you will find:

- 1 Strainer
- 1 Dosing cup
- 1 Agitator

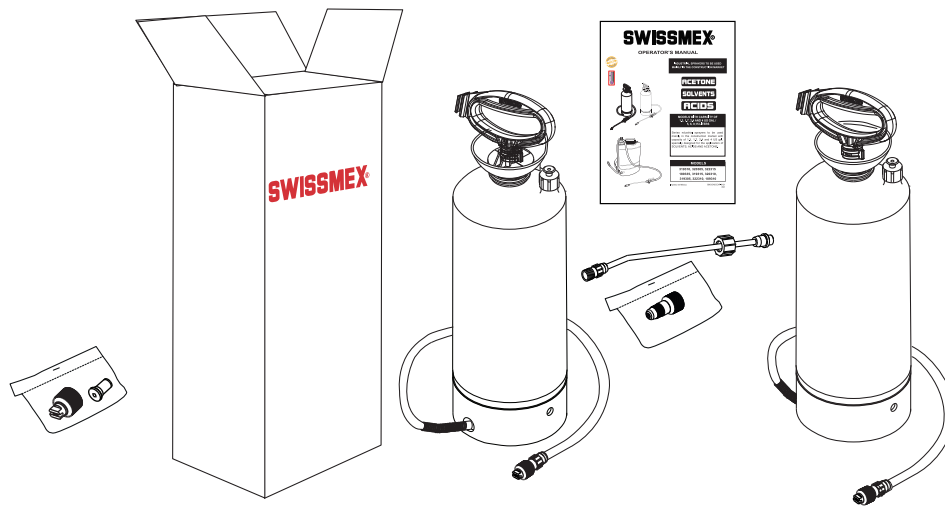
In a plastic bag you will find:

- 1 Adjustable nozzle with nut
- 3 Lock pin "C"
- 3 washers
- 1 Lock washer
- 1 Cotter pin or lock pin "R"



Compression sprayers:

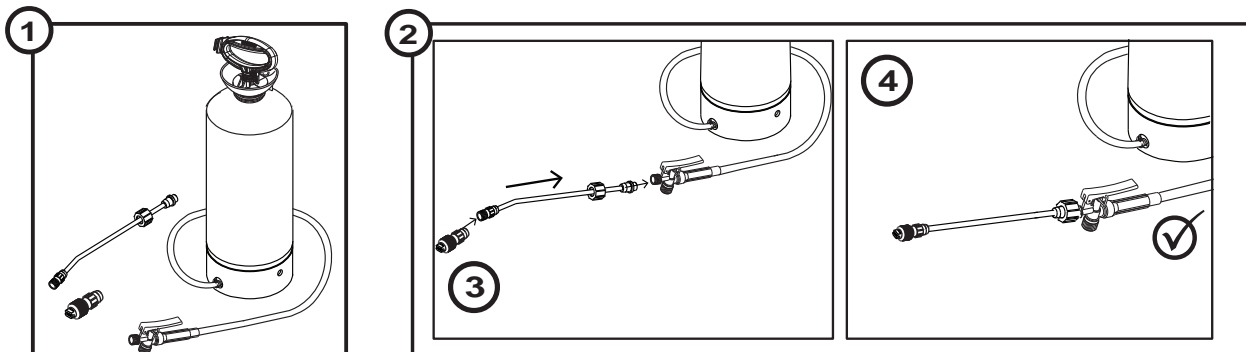
- Complete tank with pump handle, pressure relief valve, hose and shut off
- 1 Spray lance
- 1 Adjustable nozzle
- 1 Hollow cone spray tip with nut
- 1 Flat fan spray tip with nut
- Operator's manual



3.3.2 How to assemble the sprayer:

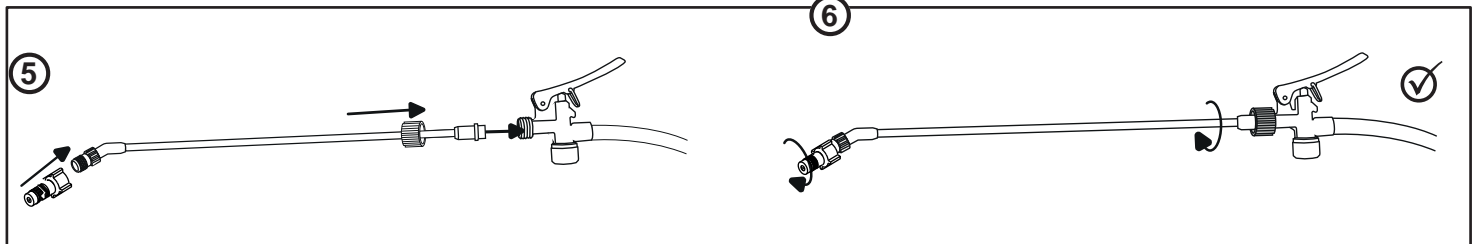
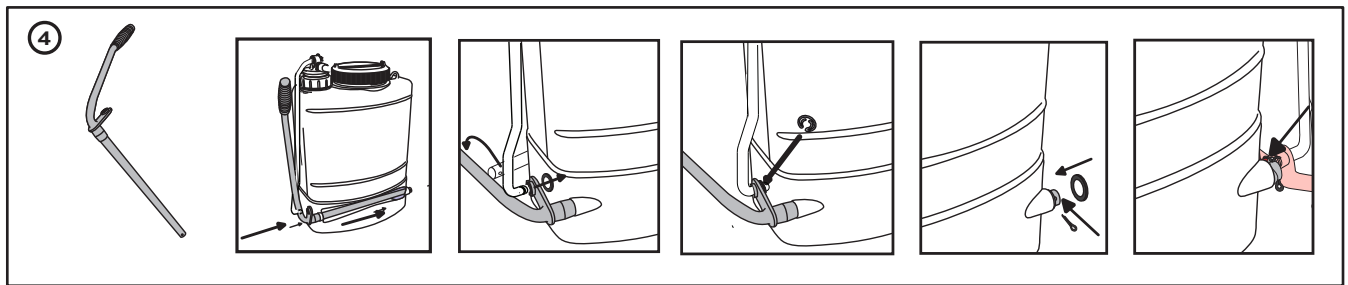
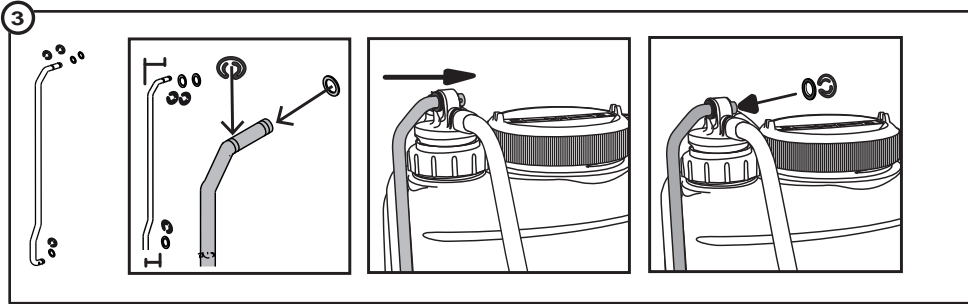
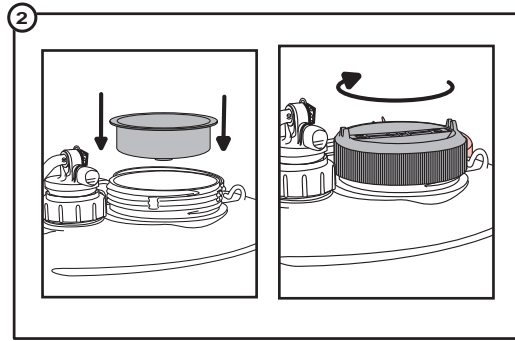
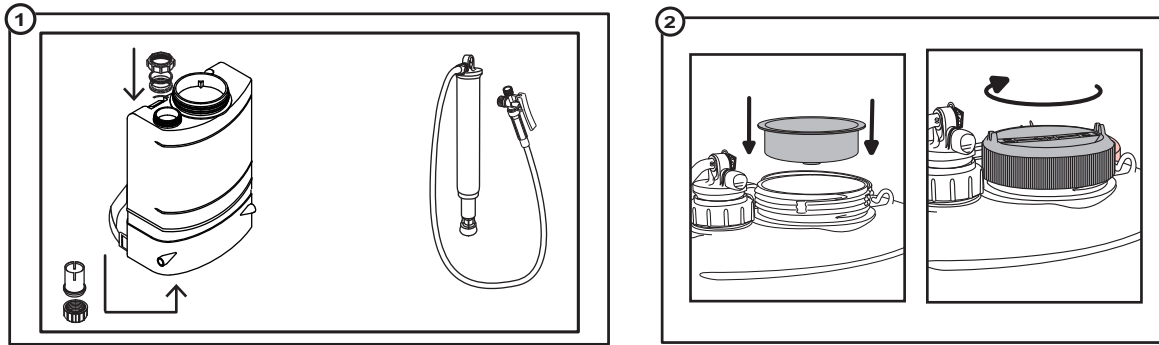
Compression sprayers:

1. Remove all the parts from the box and tank.
2. After removing the nozzle from the bag fix it in the spray lance.
3. Place the applicator upright on a table, assemble the spray tube with the gun and tighten firmly.
4. Your sprayer is ready to use.



Backpack sprayer:

- 1.- Take the loose parts out of the tank.
- 2.- Place the strainer on the filling port and then the tank lid.
- 3.- Insert the connecting rod in the pump tube placing one flat washer on each side, fix them with the lock pins "C".
- 4.- Pass the pump handle through the base of the tank fixing it to the connecting rod with a flat washer and a lock pin "C" and on the other end with a lock washer and a cotter pin.
- 5.- Assemble the nozzle to the spray lance. Lightly tighten without tools.
- 6.- Assemble the spray lance to the shut-off and tighten manually. Make sure the gasket is in place.



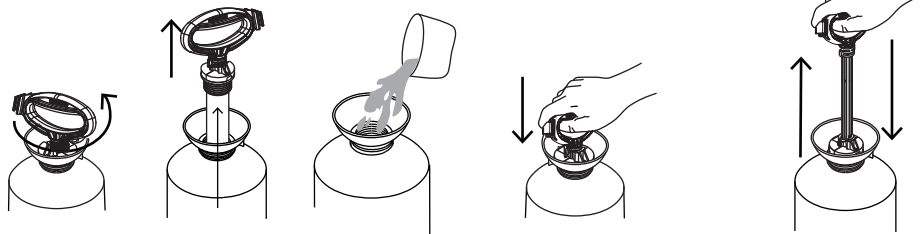
4. OPERATION

Compression sprayer:

- Mix the solution in a separate container following the instructions of the product manufacturer.
- Unscrew the pumping tube and remove it from the tank.
- Pour the pre-mixed solution up to the indicated level marked in the tank.
- Replace the pump tube and screw it tightly, then pressurize the unit.
- Hold the sprayer by the handle or place it on the shoulder with the carrying strap and start applying.
- Turn the nozzle to change the spray pattern (Solvent models 319310, 320305 & 322315).

NOTE:

The pump tube must be tight firmly otherwise the applicator will leak and will not hold pressure.



NOTE:

To ensure the best performance use only "SWISSMEX-RAPID" original spare parts.

Backpack sprayer:

- Always use the strainer when filling the tank.
- Mix the solution in a separate container following the instructions of the product manufacturer.
- Pour the pre-mixed solution into the tank and place the lid.
- Put the applicator on your back and pressurize it by pumping 15 to 20 times
- Pump every 3 or 4 seconds to maintain the desired pressure.
- For continuous application, secure the shut-off lever with the lock hook.
- Turn the nozzle to change the spray pattern (Solvent model 189335).

NOTE:

To ensure the best performance use only "SWISSMEX-RAPID" original spare parts.

5. SERVICE

The applicator requires minimum maintenance. Follow in detail the steps mentioned in this manual and the useful life of the equipment will be very long. At the end of your spraying job, don't leave the applicator with pressure, let all the pressure release through the nozzle, then remove the lid and the tank strainer (backpack sprayer) or unscrew the pump handle (compression sprayer) and turn over the sprayer to empty the remaining solution in an appropriate container for it. Now rinse the entire sprayer system with fresh water, as follows:

- Pour ½ gal of fresh water into the tank and pressurize, flush the pumping system by depressing trigger at least 2 minutes, then remove the lid and the tank strainer (backpack sprayer) or unscrew the pump handle (compression sprayer) and turn over the sprayer to empty the remaining water. Do this regularly and it will prolong the life of gaskets and seals.
- The carrying straps are made of non-absorbent material, however in case of spilling a solution you should wash the straps and tank with fresh water to eliminate any possible risk of skin irritation.
- Always follow the instructions for use of the products you are applying to avoid accidents and make the most of the product.
- Always store the sprayer clean and empty in a dry place protected from the sun.

5.1 SERVICE GUIDE

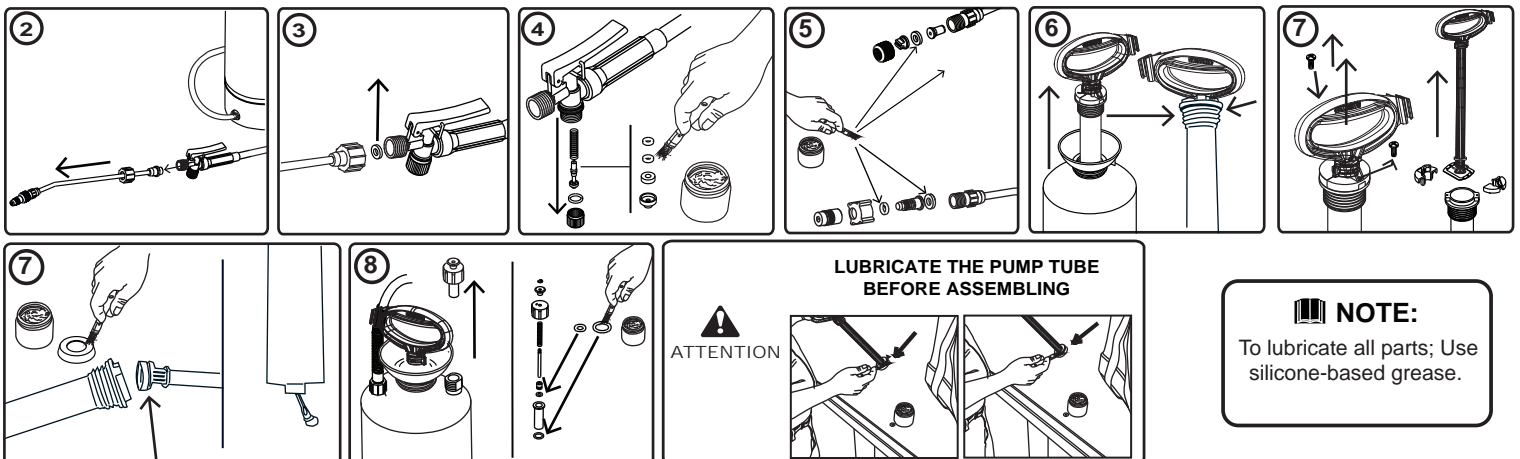
NOTE: To keep your sprayer in optimal condition, keep the following parts always greased: shut-off O rings, Piston sleeve, Pump tube O rings, Plunger O rings, Nozzle O ring and pressure relief valve O ring.

Wash the sprayer inside and outside with fresh water, to be able to handle it without contamination risk. It is recommended to replace all wear parts when performing a repair job:

- Piston sleeve, - Shut-off O rings, - Pump tube O rings, - Plunger O rings,
- Nozzle O ring - Nozzle gasket and - Pressure relief valve O ring

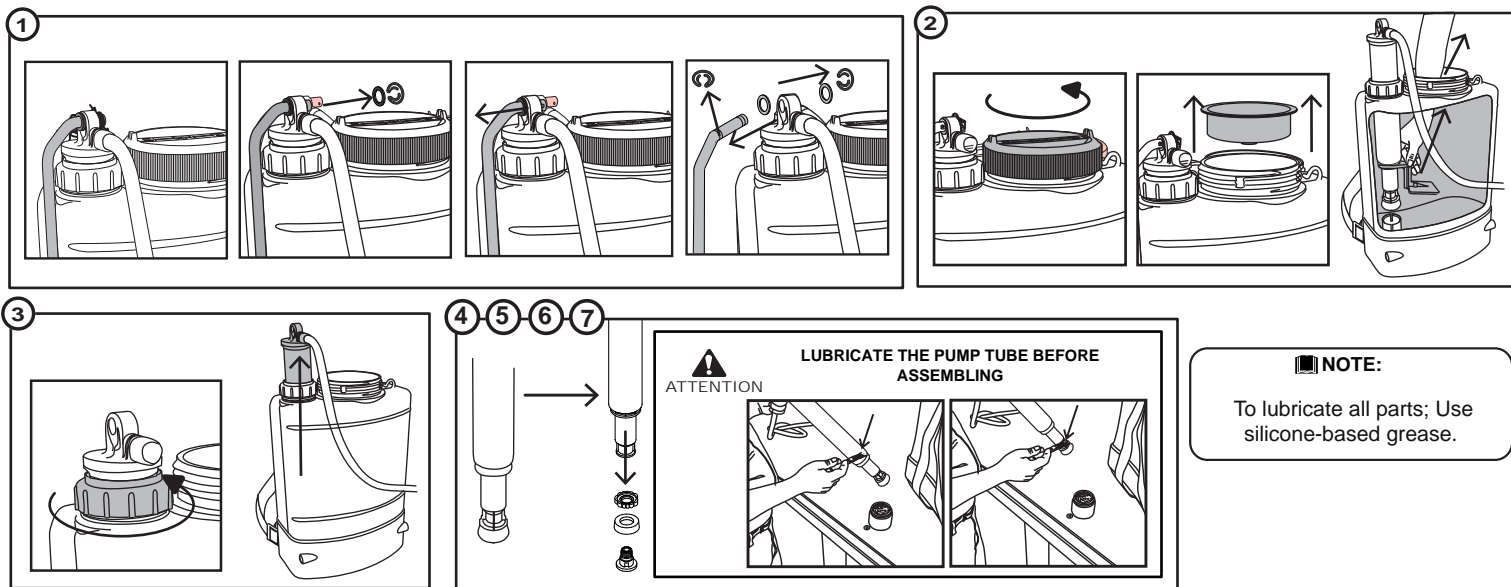
Instructions for compression sprayers:

- 1.- Change the wear parts in the pump tube, shut-off, spray lance and nozzle if your sprayer is leaking or as preventive maintenance.
- 2.- Unscrew the nut between spray lance and shut-off.
- 3.- Change gasket located between nut and shut-off.
- 4.- The shut-off is comprised by several pieces, remove the lower plug and replace gasket, remove plunger and replace the two o-rings and gasket. Lubricate before assembly.
- 5.- Unscrew the nozzle and replace O-ring and gasket, lubricate.
- 6.- Remove the pump tube from the tank and replace O ring located in the upper part, lubricate before assembling.
- 7.- Remove screws of the pump tube, remove handle, in the lower part replace and lubricate the the piston sleeve. Remove the antenna from the lower end of the pump tube and replace the O ring.
- 8.- On models 319 and 320 remove relief valve to lubricate or change the o-rings if needed.



Instructions for dismantling the Solvents backpack sprayer model 189335:

- 1.- Place the sprayer in a vertical position on a flat surface. Remove the washers and lock pin "C" from the top of the connecting rod. Remove the connecting rod from the pump tube, taking care of not losing washers and lock pins.
- 2.- Remove the lid and the strainer, proceed to remove the agitator.
- 3.- Loosen tank guide nut. Pull out pump tube.
- 4.- Loosen the piston holder bolt. (press its slot against the top edge of the pump handle connector and unscrew the pump tube counter-clockwise)
To check the ball valve, remove piston holder and make sure the seal is clean and in good shape if not replace it.
Take care when reassembling that the piston sleeve is placed with the cutting edge facing the piston.
- 7.- To reassemble the sprayer follow the previous steps in reverse.



6. COMMON PROBLEMS, POSSIBLE CAUSES & SOLUTIONS

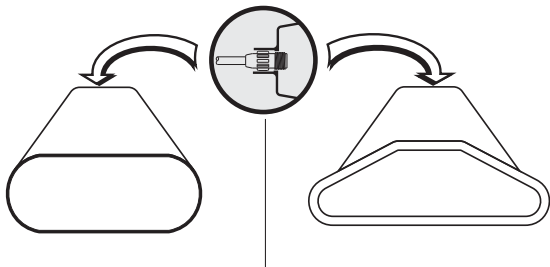
Compression sprayer		
PROBLEM	CAUSE	SOLUTION
The piston does not slide easily and there is noise between the pump tube and the piston.	There is no lubrication between the pump tube and the piston sleeve.	Check the piston sleeve. If it is worn-down replace it and grease it, if not just grease the edges.
The pump system leaks.	The antenna does not seal correctly in the seat of the pump tube.	Check the antenna and if necessary replace the seal. Lubricate before reassembling.
Shut-off leaks after releasing the handle.	The O rings of the shut-off plunger are worn-down or swollen.	Replace and grease the new O rings and plunger
The sprayer is pressurized but there is no flow when pressing the shut-off handle.	The hose is clogged.	Loosen the hose clamp and check if the hose or the tank outlet are clogged and if so, proceed to unclog them with pressurized air or water
Although the sprayer is being pumped vigorously it does not build pressure.	The pump tube is not tight enough.	Tighten the tube and grease the O ring.

Backpack sprayer		
PROBLEM	CAUSE	SOLUTION
The tank collapses when pumped.	Breathing check is blocked.	Lubricate or replace it if worn-down
The piston sleeves do not slide smoothly and pumping is difficult.	The piston sleeve is swollen .	Replace and lubricate the piston sleeve.
The piston sleeve slides too easily and the sprayer does not build pressure .	The piston sleeve is worn-down or shrunk.	Replace and lubricate the piston sleeve.
The sprayer does not build pressure after being pumped.	The check ball is stuck or debris in the check ball holder avoids it sits properly.	Remove debris and replace the check ball if necessary.
When pumping a squeak is heard between the pump tube and guide nut.	The pump tube and guide nut need lubrication.	Lubricate both parts.
Shut-off leaks after releasing the handle.	The O rings of the shut-off plunger are worn-down or swollen.	Replace the ne O rings and grease them along with the whole plunger.
There is no liquid flow when pressing the shut-off handle.	The filter or the nozzle are blocked.	Clean or replace the filter and clean the nozzle.

7. ACCESSORIES

SCREEN SHIELDS

E1000219099 40 cm
 E1000219110 40 cm translucent
 E1000219117 22 cm (3/8")



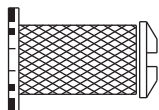
EXTENSION LANCE:

Extensions for construction lines



E1000219511 brass with EPDM Seals for Acetone 1.0 m.
 E1000219512 brass with FKM Seals for Solvent/Form Oils 1.0m
 E1000219513 PVC with NBR Seals for Acid 1.0m

FILTERS



E2888219011 Antidrip, 50 mesh, blue
 E2002219026 Antidrip, 80 mesh, yellow
 E2002219027 Antidrip, 100 mesh, green
 E2888219012 No antidrip, 50 mesh, blue
 E2002219078 No antidrip, 80 mesh, yellow

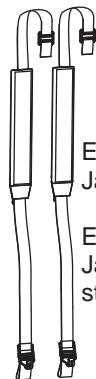


E2888219013 No antidrip, 73 mm, 50 mesh

CARRYING STRAPS



E1000080034 Complete strap
 E1000120334 Economic strap
 E1000501034 Economic strap
 with shoulder pad
 E1000501134 Complete strap
 with shoulder pads
 E1000501135 10 traps kit



E1000501230
 Janisset strap
 E1000501268
 Janisset economic
 strap

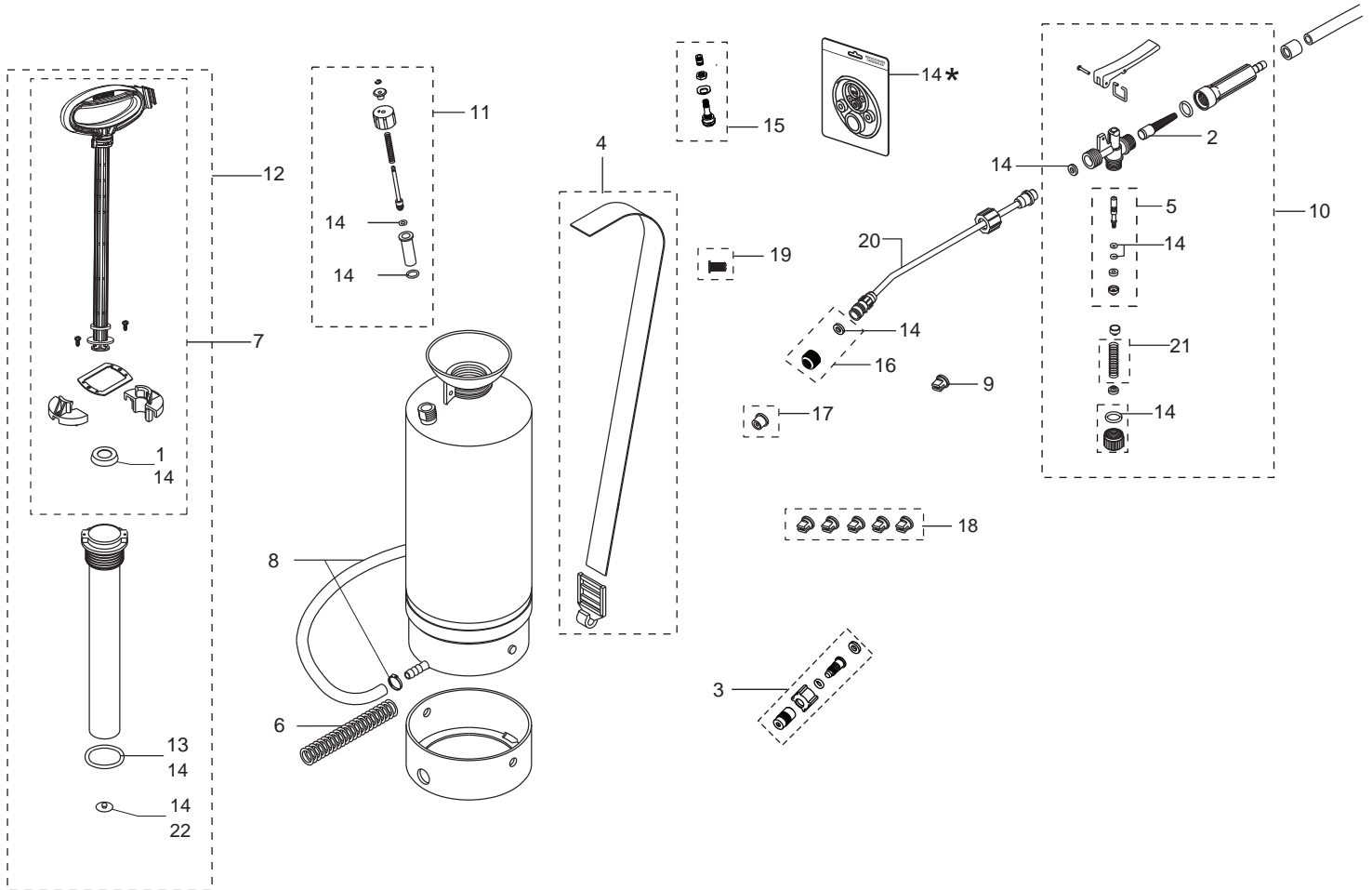
E1000501336
 Janisset strap with
 hook ring style



NOTE: These accessories are not special for the construction line. For more info. please contact your sales rep.
 Or : www.swissmex.com

8. SPARE PARTS

ACETONE 10/30

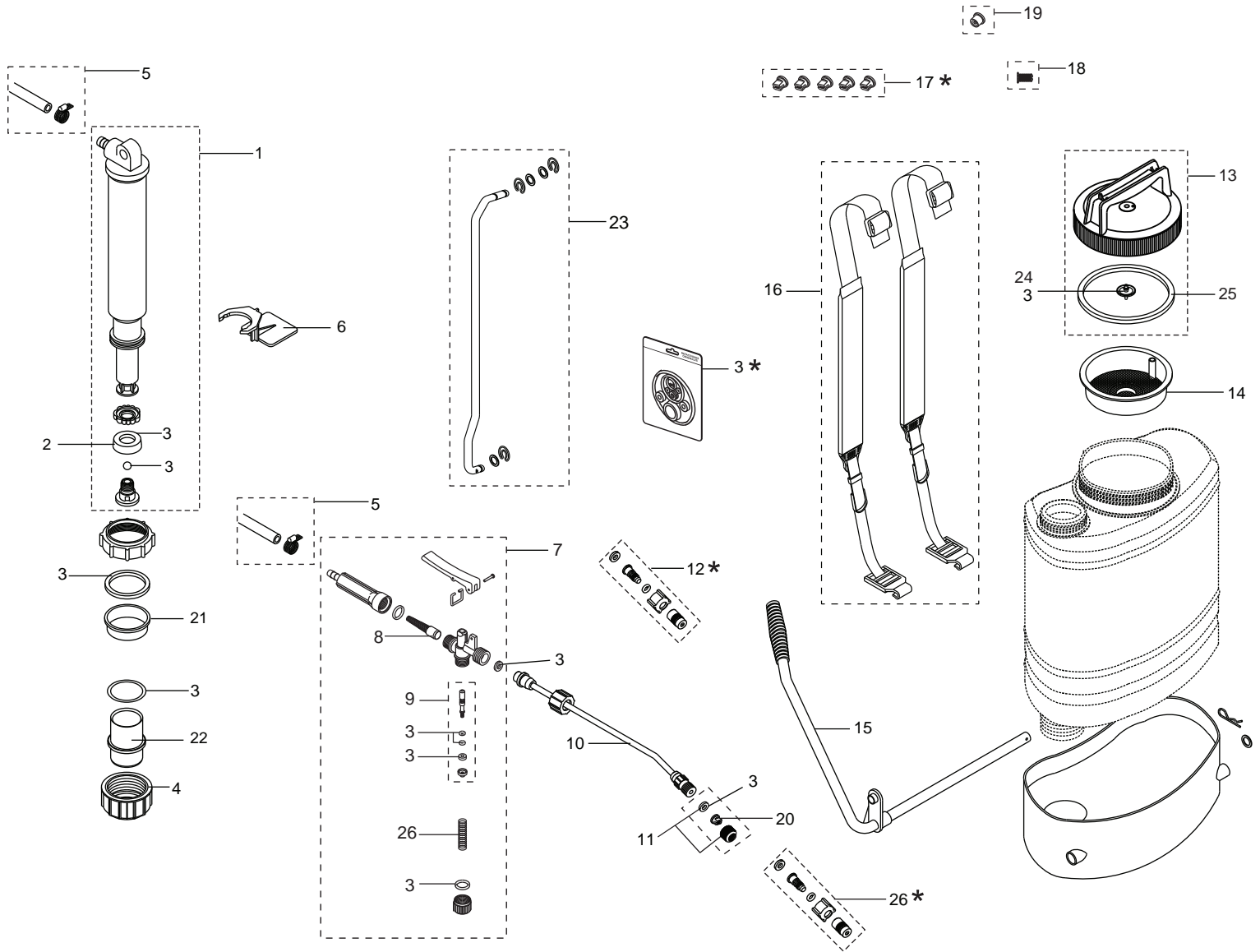


A Spare parts and consumables always available.					B Medium-use parts, available at discretion.				
No.	Code	Description	Qty.	Qty. per bag	No.	Code	Description	Qty.	Qty. per bag
1	E1000120029	PUMP PLUNGER	1	20	4	E1000120334	COMPLETE STRAP	1	1
2	E1000807074	FILTER	1	10	5	E1000806166	COMPLETE SPINDLE SET	1	5
3*	E1000803092	COMPLETE BRASS NOZZLE WITH EPDM SEALS	1	1	6	E1000803233	HOSE SPRING	1	1
9	E1000216050	BLUE FAN TIP	1	10	7	E1000320314	COMPLETE PUMP HANDLE	1	1
10	E1000806075	COMPLETE SPRAY GUN	1	1	8	E1000803683	HOSE SET WITH 2 HOSE CLAMPS	1	1
13	E1000120340	O-RING FOR PUMP TUBE	1	10	11	E1000120330	PRESSURE RELIEF VALVE	1	1
14*	E1000320201	FULL SETS OF SEALS AND O RINGS	1	1	12	E1000320223	COMPLETE PUMP MODULE	1	1
17	E1888216045	GRAY CERAMIC CONE TIP	1	10	15	E1888319008	SCHRADER VALVE	1	10
18*	E1888216046	5 CONE TIP KIT	1	1	16	E1000219216	NOZZLE HOLDER WITH SEAL	1	1
19	E2888219011	ANTI-DRIP FILTER	1	10	21	E1000803067	SPRING	1	10
20	E1000803085	20" BRASS SPRAY WAND	1	1	22	E1000320205	CHECK VALVE EPDM	1	20

NOTE: In the interest of continued technologic progress specifications are subject to change without notice.

Please note that marked * Not supplied with unit.

ACETONE 40



A Spare parts and consumables always available.

No.	Code	Description	Qty.	Qty. per bag
3 *	E1000189201	COMPLETE SET OF SEALS	1	1
12 *	E1000806090	COMPLETE PLASTIC NOZZLE WITH EPDM SEALS	1	1
17 *	E1888216046	5 CONE TIP KIT	1	1
18	E2888219011	ANTI-DRIP FILTER	1	10
19	E1888216045	GRAY CERAMIC CONE TIP	1	10
20	E1000216050	BLUE FAN TIP	1	10
26 *	E1000803092	BRASS ADJUSTABLE NOZZLE WITH EPDM SEALS	1	1

NOTE: In the interest of continued technologic progress specifications are subject to change without notice.
Please note that marked * Not supplied with unit.

B Medium-use parts, available at discretion.

No.	Code	Description	Qty.	Qty. per bag
1	E1000189150	COMPLETE PUMP TUBE	1	1
2	E1000189054	PISTON	1	20
4	E1000189025	HOLDING CAP FOR CYLINDER	1	5
5	E1000803683	HOSE SET WITH 2 HOSE CLAMPS	1	1
6	E1000200050	AGITATOR	1	1
7	E1000806075	COMPLETE SPRAY GUN	1	1
8	E1000807074	FILTER	1	10
9	E1000806166	COMPLETE SPINDLE SET	1	5
10	E1000803085	20" BRASS SPRAY WAND	1	1
11	E1000219216	NOZZLE HOLDER WITH SEAL	1	1
13	E1000501301	GRAY TANK LID	1	1
14	E1000501004	6" STRAINER FOR TANK LID	1	1
15	E1000189116	METAL PUMP HANDLE WITH PLASTIC GRIP	1	1
16	E1000501230	COMPLETE STRAP (2)	1	1
21	E1000080201	NYLON GUIDE	1	5
22	E1000189124	CYLINDER	1	1
23	E1000189115	METAL PUMP LEVER WITH LOCKING PINS	1	1
24	E1000120343	CHECK VALVE FOR LID	1	20
25	E1000501076	SEAL FOR 6" LID	1	1
26	E1000803067	SPRING	1	1

9. STORAGE

Always store the sprayer clean and empty in a dry place protected from the sun.

10. WARRANTY

SWISSMEX®

Any claim made under this warranty must adhere to the Warranty Policy described below:

The warranty will be granted by SWISSMEX RAPID SA DE CV when the product presents manufacturing, assembly or material defects and this has been established after conclusive analysis at Swissmex plant (Lagos de Moreno, Jalisco, Mexico). The warranty consists of replacement of damaged parts or replacement of damaged equipment depending on conclusions of the analysis of the claim. This warranty does not include labor installation costs or shipping costs.

The warranty of your product can be PREMIUM, MEDIUM or BASIC, depending on which category your equipment belongs to. You can check this on the Operator's Manual and our website at www.swissmex.com.

The applicable warranty period can be:

Premium Line = 12 months

Medium Line = 6 months

Basic Line = 3 months

THIS WARRANTY WILL BE INVALID UNDER THE FOLLOWING CIRCUMSTANCES:

1. When the product presents faults due to abuse, misuse or inadequate maintenance, lack of proper cleaning and rinsing according to the instructions contained in the Owner's manual.
2. For the purpose of this warranty the use of any chemical solution listed as dangerous or different from those recommended in the Operator's Manual will be considered as misuse.
3. When the product has undergone modifications or adaptations by unauthorized persons or by the use of spare parts that have not been provided by SWISSMEX-RAPID.
4. When the product has been damaged as a result of natural disasters.
5. When the fault is caused by normal wear of the parts due to use.

SWISSMEX-RAPID is not responsible for indirect or consequential damages arising from the use or operation of the product, damages resulting in personal injury, economic loss, loss of property, loss of income or profits or costs of removal, installation or reinstallation.

SWISSMEX-RAPID, makes no other express warranty with the exception of the one quoted here. This warranty gives you specific legal rights and you may have other rights that vary from country to country.

To make this warranty valid, contact your dealer and present proof of purchase.

Contac us / Contáctanos:
www.swissmex.com
exports@swissmex.com.mx
Calle Swissmex No. 500
Lagos de Moreno Jal. México
Tels: + 52 474 741 2216
800 849 19 92

1. INTRODUCCIÓN

Gracias por comprar un equipo Swissmex, le garantizamos que el producto que ha adquirido cuenta con calidad insuperable ya que fue desarrollado con tecnología de punta, siguiendo los estándares de calidad requeridos. Este equipo fue cuidadosamente diseñado y fabricado con el fin de proporcionar el máximo rendimiento, economía y facilidad de operación. Es importante que el operador conozca toda la información contenida en este manual, léalo antes de operarlo, siga las recomendaciones paso a paso y téngalo a la mano para consultarlo cuando sea necesario.



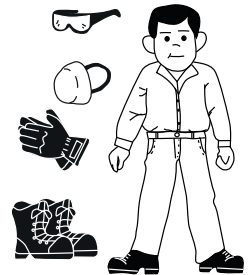
Este manual contiene importantes advertencias de seguridad: lea con atención y esté atento a cualquier posible accidente. Conserve todas las etiquetas del equipo y si es necesario reemplácelas.

Cada modelo de la Línea Industrial ha sido diseñado para aplicar una clase específica de producto químico ya sea solventes, ácidos o acetona. El uso del producto químico correcto para cada modelo le asegurará el éxito de la aplicación y el mantenimiento en buenas condiciones del equipo.

2. INFORMACIÓN DE SEGURIDAD

2.1 EQUIPO DE PROTECCIÓN

- Guantes Industriales
- Lentes de seguridad
- Zapatos cerrados
- Overol / Ropa de trabajo
- Mascarilla



2.2 MEDIDAS DE SEGURIDAD

- Lea este manual cuidadosamente antes de poner su equipo en funcionamiento.
- La manipulación incorrecta y por personas no calificadas pueden ocasionar accidentes graves.
- No haga modificaciones o adaptaciones, ya que pueden comprometer su equipo y poner en riesgo su seguridad y la de terceros, además invalidan la garantía.
- No permita la presencia de niños, ancianos, personas con capacidades especiales o animales cuando use el equipo.
- Mantenga su equipo en buenas condiciones y en un lugar seguro. Siempre lave y guarde su equipo sin presión.
- Lea y siga las instrucciones de uso del producto químico que va a usar.
- Use el equipo protector personal mencionada anteriormente cuando opere, llene o lave su aplicador.
- Mantenga las conexiones bien apretadas para prevenir fugas.
- Nunca llene su aplicador con líquidos calientes 30°C = 85°F como máximo.





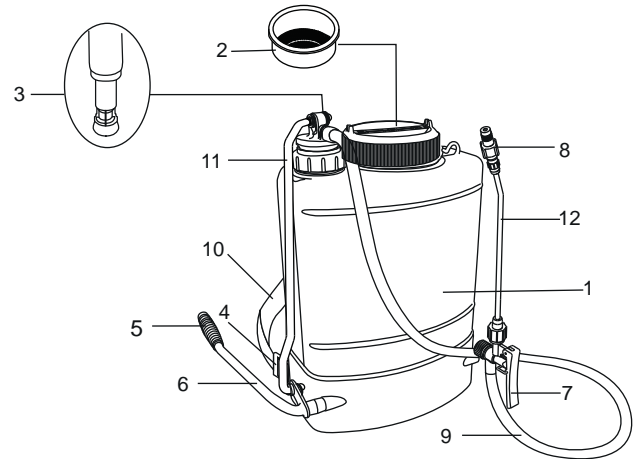
Nota Importante: Esta aspersora está diseñada para ser utilizada con químicos en concentraciones no mayores a 5% que sean compatibles con los materiales de las partes este equipo, utilizar productos que no sean compatibles con estos materiales pueden causar daños al usuario y al equipo. Las garantías de este producto aplicaran únicamente si se utilizan los químicos compatibles con este producto.

3. INFORMACIÓN GENERAL

3.1 COMPONENTES PRINCIPALES

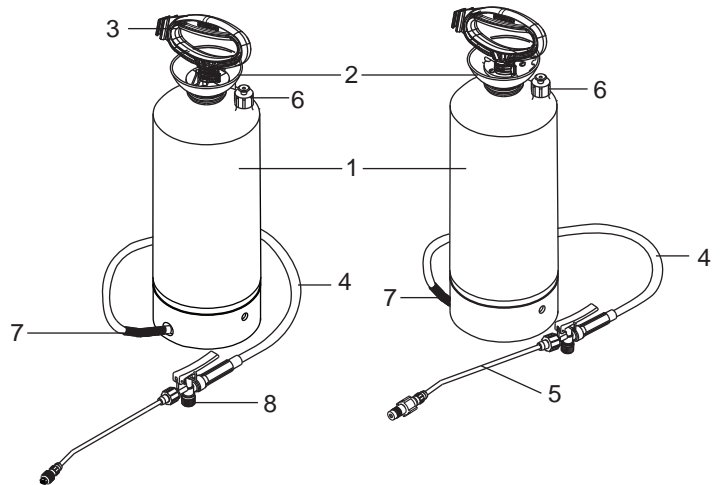
Aplicador 189305

1. Tanque
2. Boca de tanque, tapadera y coladera
3. Sistema de bombeo
4. Gancho para cinta
5. Mango ergonómico
6. Palanca de bombeo
7. Pistola
8. Boquerel ajustable
9. Manguera
10. Cintas ajustables
11. Varilla de bombeo
12. Tubo rociador



Aplicadores de compresión

1. Tanque
2. Boca de llenado
3. Maneral completo
4. Manguera
5. Tubo rociador con tuerca y punta
6. Válvula de alivio
7. Resorte
8. Pistola con porta filtro



3.2 DATOS TÉCNICOS

ESPECIFICACIONES	ACETONE		
N° Cat.	319295	322305	189310
Capacidad total del tanque	1.3 GAL / 5 L	2.9 GAL / 9 L	3.9 GAL / 15 L
Cintas	De poliéster no absorbente, de 38 mm de ancho		
Sistema de bombeo	Pistón		
Anillo pistón	Elastómero 38 mm	Elastómero 45 mm	
Presión de trabajo	1.5 a 2.5 bar - 22 a 36 psi		1 a 6 bar -87 psi
Peso aproximado	2.1 kg	3.1 kg	4.6 kg
Manguera	EPDM 1.5 m - 59" longitud		
Pistola	Válvula de gatillo, con seguro para asperjado continuo		
Tubo rociador	De latón 52 cm = 20.5"		
Boquilla	De abanico y de cono hueco		

3.3 ENSAMBLE

3.3.1 Partes que usted recibirá:

Aplicador 189305

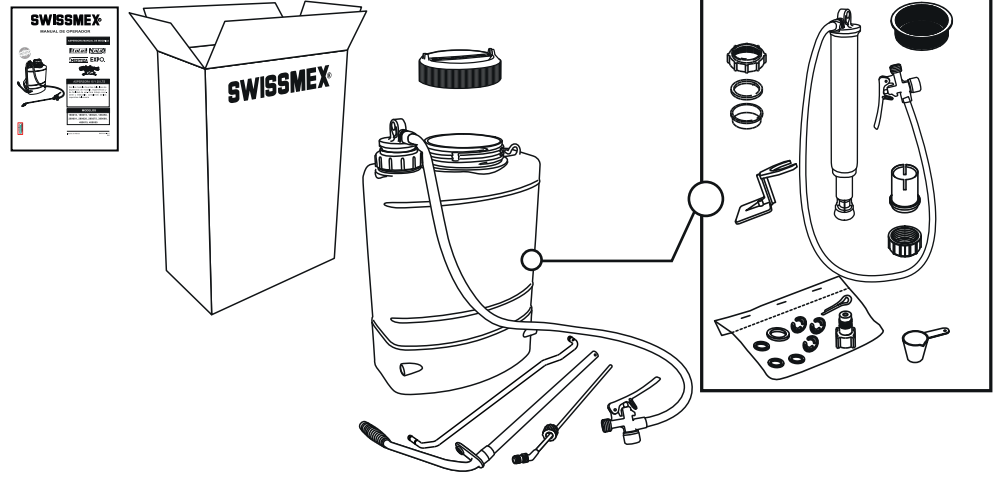
- 1 Palanca de bombeo
- 1 Tubo rociador
- 1 Tapa del tanque
- 1 Varilla de bombeo
- Folletería

Dentro del tanque encontrará:

- 1 Coladera
- 1 Taza dosificadora
- 1 Agitador

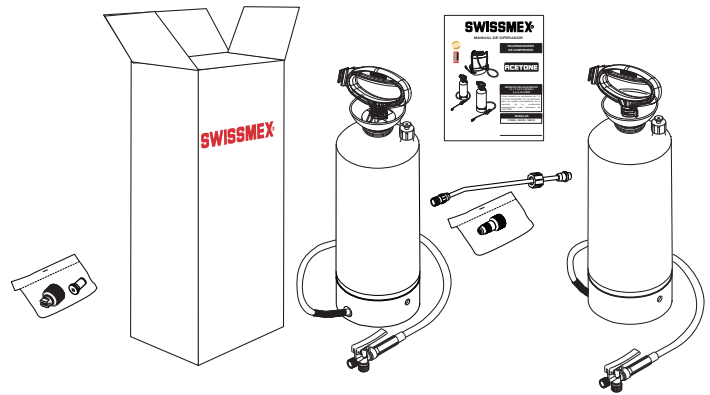
En una bolsa de plástico encontrará:

- 1 Boquerel ajustable con tuerca
- 3 Seguro "C"
- 3 rondanas planas
- 1 Rondana seguro
- 1 Chaveta o seguro "R"



Aplicadores de compresión

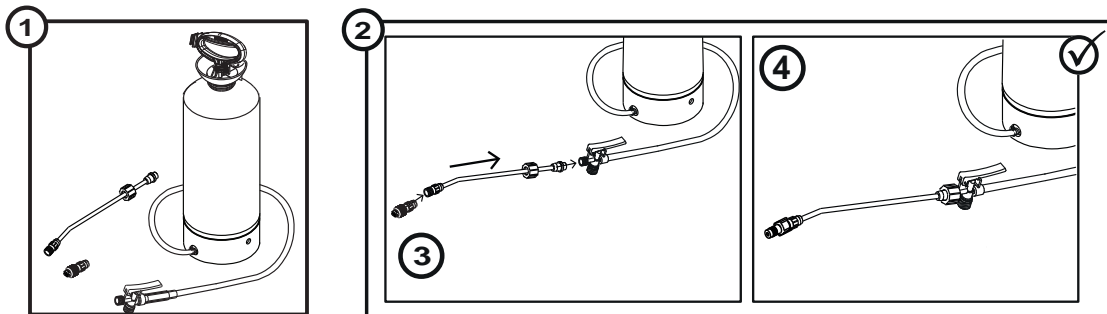
- Tanque con maneral completo, válvula de alivio, manguera y pistola
- 1 Tubo rociador
- 1 Boquerel ajustable
- 1 Tuerca con punta de cono hueco (mod. Acetona 319305, 322310)
- 1 Tuerca con punta de abanico plástico
- Manual del operador



3.3.2 Como ensamblar su aplicador.

Aplicadores de compresión:

1. Saque todas las partes de la caja y del tanque.
2. Coloque el aplicador en posición vertical sobre una mesa, enrosque el tubo rociador en la pistola y apriete firmemente.
3. Enseguida saque el boquerel de la bolsa y enrosque en el tubo rociador.
4. Su aspersora está lista para usarse.



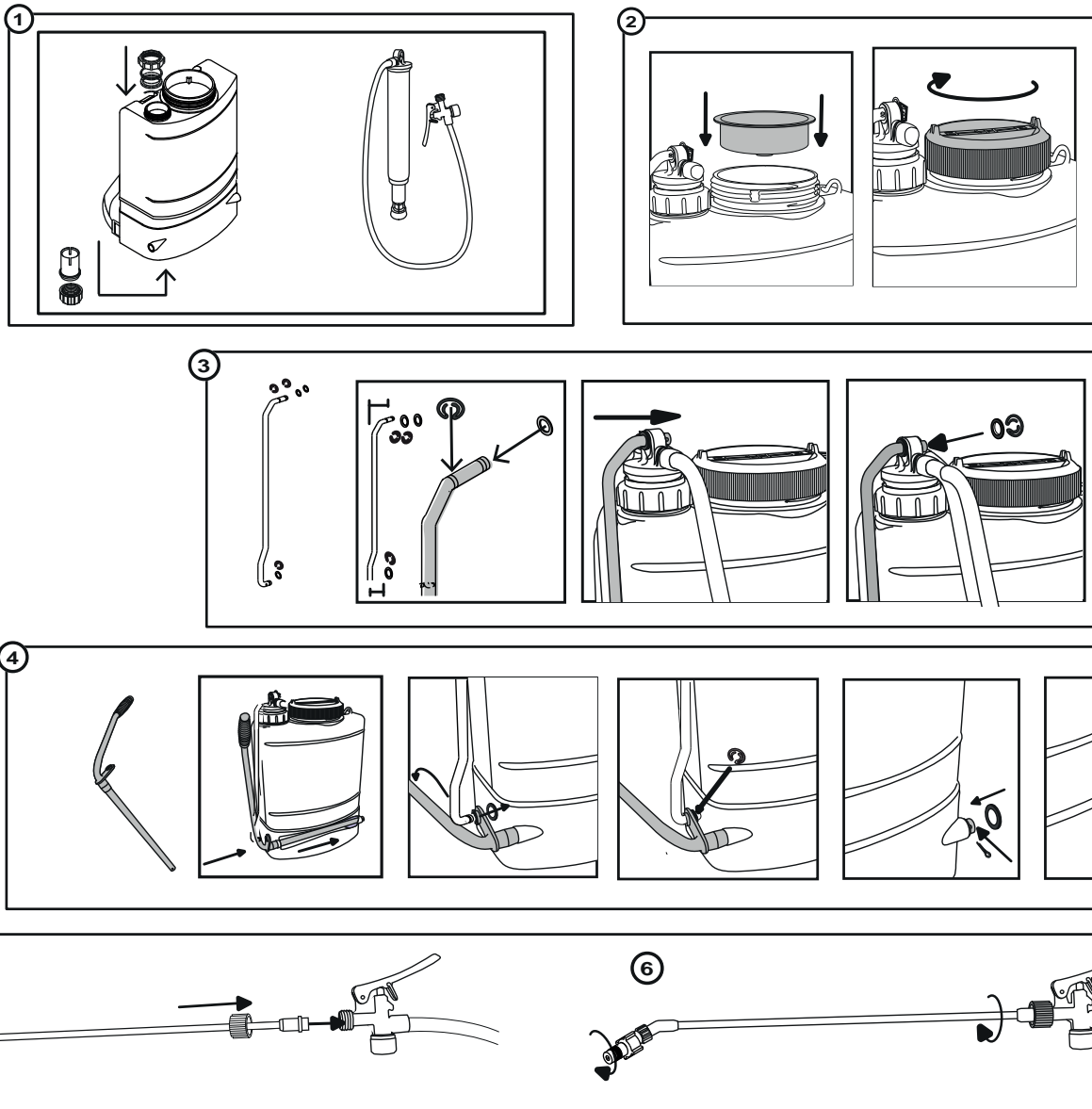
Aplicador de mochila:

- 1.- Saque las partes sueltas que van dentro del tanque.
- 2.- Coloque la coladera en la boca del tanque y enseguida la tapadera.
- 3.- Inserte la varilla de bombeo al tubo de bombeo con una rondana de perforación menor a cada lado y fíjela con los seguros "C".

4.- Pase la palanca de bombeo a través de la base del tanque asegurándola a la varilla de bombeo con una rondana plana y el seguro "C" y por el extremo con rondana seguro y chaveta.

5.- Ensamble el boquerel en el tubo rociador. Apriete ligeramente sin herramientas.

6.- Ensamble el tubo rociador a la pistola y apriete en forma manual asegurándose que el empaque esté en su lugar.



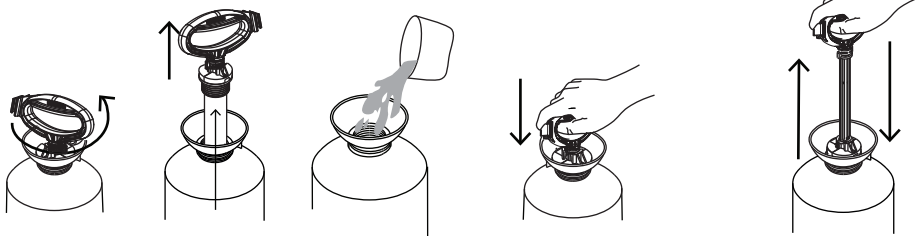
4. OPERACIÓN

Aplicador de compresión:

- Mezcle la solución en un recipiente por separado siguiendo las instrucciones del fabricante del producto.
- Desenrosque el tubo de bombeo y sáquelo del tanque.
- Vacíe la solución pre-mezclada hasta el nivel indicado en el tanque.
- Coloque nuevamente el tubo de bombeo y enrósquelo bien, posteriormente presurice la unidad.
- Sujete el aplicador del maneral o colóquela al hombro con la cinta y comience a aplicar.
- Gire el boquerel para cambiar el patrón de aspersión (Mod. 319310, 320305, 322315).

NOTA:
El tubo de bombeo debe estar bien apretado de lo contrario su aplicador presentará fugas y no tendrá presión.

NOTA:
Para asegurar un mejor funcionamiento use solo refacciones originales "SWISSMEX-RAPID"



Aplicador de mochila:

- Use siempre la coladera cuando llene el tanque.
- Mezcle la solución en un recipiente por separado siguiendo las instrucciones del fabricante del producto.
- Vacíe la solución pre-mezclada en el tanque del aplicador y coloque la tapa.
- Colóquese el aplicador en la espalda y presurícelo bombeando de 15 a 20 veces.
- Bombear cada 3 o 4 segundos para mantener la presión deseada.
- Para una aplicación continua, asegure la palanca de la pistola con el gancho seguro.
- Gire el boquerel para cambiar el patrón de la aplicación (modelo 189335).

NOTA:
Para asegurar un mejor funcionamiento use solo refacciones originales "SWISSMEX-RAPID"

5. MANTENIMIENTO

El aplicador requiere mantenimiento mínimo, siga a detalle los pasos mencionados en este manual y la vida útil de su equipo será muy prolongada. Al terminar su trabajo de aspersión no deje el aplicador con presión, deje salir toda la presión por la boquilla, posteriormente quite la tapa y la coladera del tanque (aplicador de mochila) o desenrosque el maneral (aplicador de compresión) y voltee el aplicador para vaciar la solución restante en un recipiente apropiado para ello. Ahora enjuague todo el sistema del aplicador con agua limpia, de la siguiente manera:

- Vacíe 2 litros de agua limpia en el tanque del aplicador y presurice, ahora deje salir el agua limpia por el tubo rociador activando la palanca de la pistola, por lo menos 2 minutos, deje salir toda la presión por la boquilla, posteriormente quite la tapa y la coladera del tanque (aplicador de mochila) o desenrosque el maneral (aplicador de compresión) y voltee el aplicador para vaciar el resto del agua. Hacer esto regularmente prolongará la vida de los empaques y arosellos.
- Las cintas del aplicador están fabricadas de material NO absorbente, sin embargo en caso de que se derrame solución deberá lavar las cintas y el tanque con agua limpia para eliminar cualquier posible riesgo de irritación en la piel.
- Siga siempre las instrucciones de uso de los productos que está aplicando, para evitar accidentes y aprovechar el producto al máximo.
- Siempre guarde su aplicador limpio y vacío en un lugar seco y protegido del sol.

5.1 GUÍA PARA MANTENIMIENTO

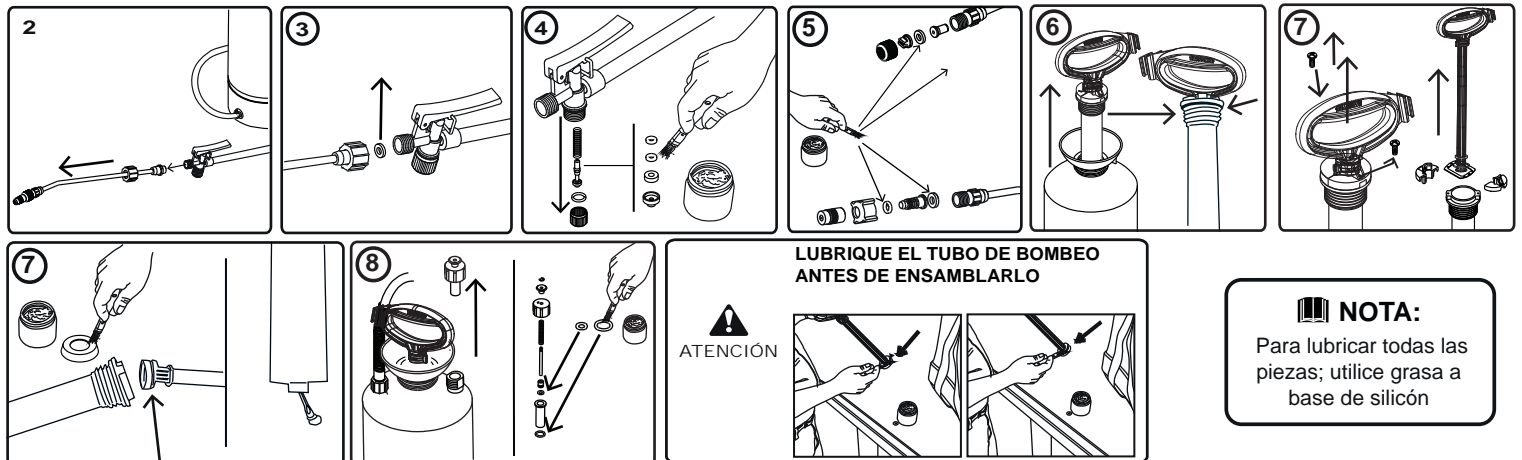
NOTA: Para mantener su aplicador en óptimas condiciones de uso es necesario mantener engrasadas siempre las siguientes piezas: Arosellos de la pistola, Anillo pistón, Arosello para tubo de bombeo, Arosellos para vástago, Arosello boquerel y Arosellos para válvula de alivio.: Para mantener su aplicador en óptimas condiciones de uso mantenga engrasadas las siguientes piezas: Arosellos de la pistola, Anillo pistón, Arosello para tubo de bombeo, Arosellos para vástago, Arosello boquerel y Arosellos para válvula de alivio

Lave el aplicador por dentro y por fuera con agua limpia para poder manipularlo sin peligro de contaminación. Se recomienda que al realizar una reparación, reemplace todas las piezas de desgaste:

- | | | | |
|---------------------|--------------------------|------------------------------------|-------------------------|
| - Anillo pistón | - Arosellos para pistola | - Arosello para tubo de bombeo | - Arosello para vástago |
| - Arosello boquerel | - Empaque boquerel | - Arosellos para válvula de alivio | |

Instrucciones para aplicadores de compresión:

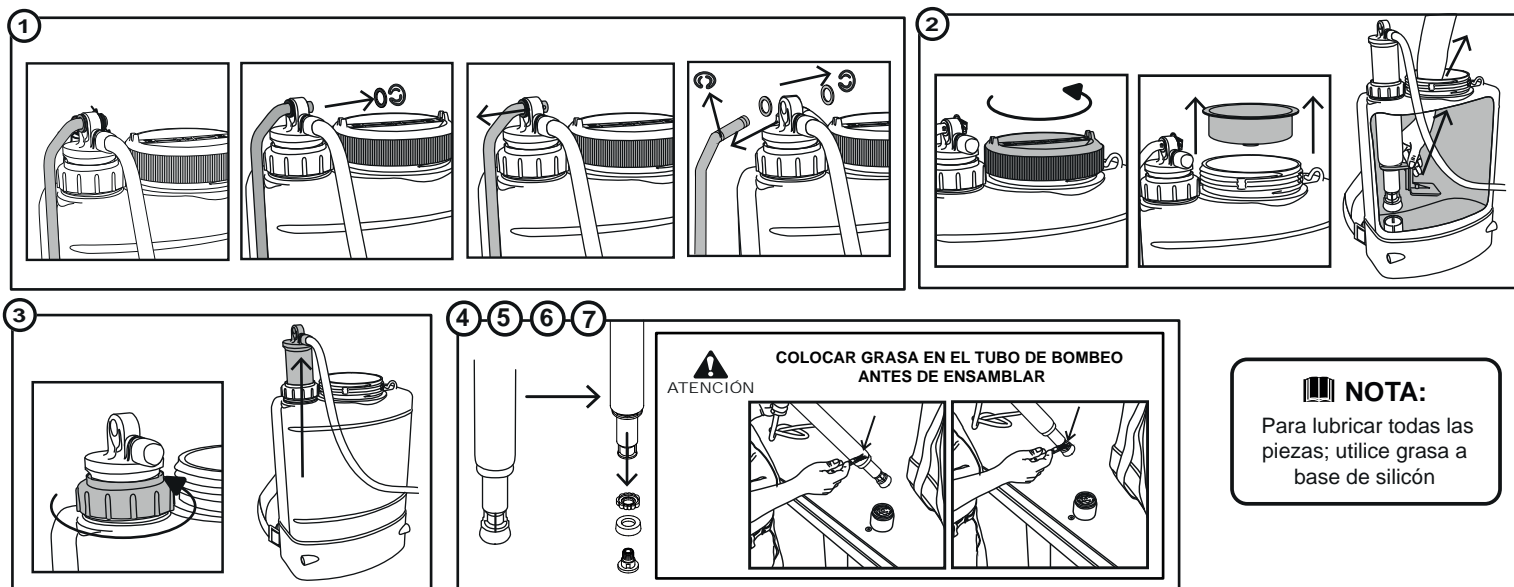
- 1.- Cambie las piezas de desgaste en el tubo de bombeo, pistola, tubo rociador o boquilla si su aplicador presenta fugas o como mantenimiento preventivo.
- 2.- Separe el tubo rociador de la pistola desenroscando la tuerca.
- 3.- Cambie el empaque localizado entre la tuerca y la pistola.
- 4.- La pistola se conforma de varias piezas, retire el tapón inferior y cambie el empaque, saque el vástago y reemplace los dos arosellos y el empaque. Lubrique antes de ensamblar.
- 5.- Desenrosque la boquilla y sustituya el arosello y el empaque, lubrique.
- 6.- Retire el tubo de bombeo del tanque y sustituya el arosello que se localiza en la parte superior, lubrique antes de ensamblar.
- 7.- Retire los tornillos del tubo de bombeo, saque el maneral, sustituya y lubrique el anillo pistón que se localiza en la parte inferior. Retire la antenita del extremo inferior del tubo de bombeo y sustituya el arosello.
- 8.- Para los modelos 319 y 320 retire la válvula de alivio para lubricar o cambiar los arosellos si es necesario.



NOTA:
Para lubricar todas las piezas; utilice grasa a base de silicón

Instrucciones de desarmado del aplicador de mochila 189:

- 1.- Coloque el aplicador en posición vertical en una superficie plana. Retire las rondanas y seguros "C" de la parte superior de la varilla de bombeo. Saque la varilla del ojillo del tubo de bombeo, cuidando de no perder las rondanas y los seguros.
- 2.- Quite la tapa y la coladera, proceda a quitar el agitador.
- 3.- Afloje la tuerca guía del tanque. Jale el tubo de bombeo.
- 4.- Afloje el tornillo porta-pistón. (Aflójelo colocando la ranura de éste sobre el canto del balancín de la palanca de bombeo, girando el tubo en contra de las manecillas del reloj).
- 5.- Para inspeccionar la válvula de retención, quite el tornillo porta-pistón y asegúrese de que el sello esté limpio y en buenas condiciones de no ser así cámbielo.
- 6.- **Cuide al volver a ensamblar que el disco del pistón se coloque con el filo hacia la cara del pistón.**
- 7.- Para volver a armar el aplicador siga los pasos anteriores de manera inversa.



6. POSIBLES PROBLEMAS Y SOLUCIONES

Aplicadores de compresión

PROBLEMA	CAUSA	SOLUCIÓN
El pistón no se desliza con facilidad y hay ruido entre el tubo de bombeo y el pistón.	El anillo pistón ha perdido su lubricación con el tubo de bombeo.	Revise el anillo pistón y si está gastado reemplácelo y engráselo si no solamente engrase los bordes
Fuga por el sistema de bombeo.	La antenita no sella perfectamente en el asiento del tubo de bombeo.	Revise la antenita de ser necesario cambie el arosello, engrase y vuelva a colocarla.
La válvula no cierra al soltar la palanca.	Los arosellos del vástago de la pistola están gastados o hinchados.	Reemplace y lubrique los nuevos arosellos y el vástago.
El aplicador tiene suficiente presión pero no hay salida de líquido por la válvula.	La manguera está obstruida.	Afloje la abrazadera y revise si la manguera o el pivote de la salida del tanque están tapados de ser así proceda a destaparlos con aire o agua a presión
Aunque se bombee vigorosamente no se genera presión	El tubo de bombeo no está lo suficientemente apretado.	Apriete bien el tubo colocando grasa en el arosello.

Aplicador de mochila 189

PROBLEMA	CAUSA	SOLUCIÓN
Al bombear el tanque se colapsa.	La válvula de respiración está bloqueada.	Lubríquela o reemplácela si está dañada
El anillo pistón no se desliza suavemente y se requiere gran esfuerzo al bombear.	El químico usado hizo que el anillo pistón aumentará de tamaño.	Reemplace el anillo pistón, primero lubríquelo.
El anillo pistón se desliza con demasiada suavidad y no genera presión.	El anillo pistón está desgastado o encogido.	Reemplace el anillo pistón, primero lubríquelo.
Aunque se bombea vigorosamente no se genera presión.	La canica está atorada o hay basura en la tuerca porta-canica y esto evita que asiente apropiadamente.	Limpie la tuerca porta-canica y la canica, reemplácela si es necesario.
Al bombear se oye un rechinado entre el tubo de bombeo y la tuerca guía.	El tubo de bombeo y la tuerca guía necesitan lubricación.	Lubrique ambos.
La pistola no cierra al soltar la palanca.	Los arosellos del vástago de la pistola están gastados o hinchados.	Reemplace y lubrique los nuevos arosellos y el vástago.
La pistola no funciona al apretar la palanca.	El filtro o el boquerel están obstruidos.	Saque el filtro de la pistola, límpielo, reemplácelo si está dañado. Limpie el boquerel.

7. ACCESORIOS

EXTENSIONES

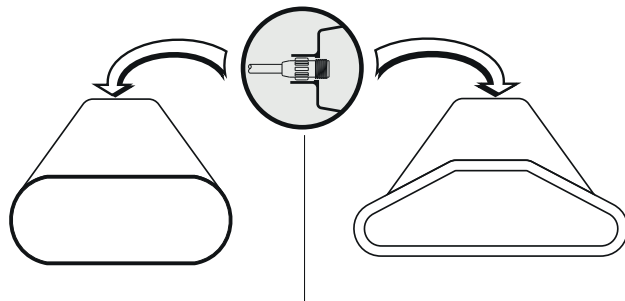
Extensiones para línea de construcción



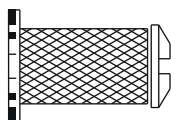
E1000219511 latón con empaques EPDM para Acetona 1.0m
E1000219512 latón con empaques FKM para Solventes 1.0m
E1000219513 PVC con empaques de NBR para Ácidos 1.0m

PANTALLAS PROTECTORAS

E1000219099 de 40 cm
E1000219110 de 40 cm traslúcida
E1000219117 de 22 cm (3/8")



FILTROS

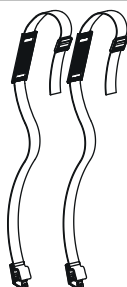


E2888219011 Antigoteo 50 mesh azul
E2002219026 Antigoteo 80 mesh amarillo
E2002219027 Antigoteo 100 mesh verde
E2888219012 Sin Antigoteo 50 mesh azul
E2002219078 Sin Antigoteo 80 mesh amarillo



E2888219013 Sin Antigoteo de 73 mm 50 mallas

CINTAS



E1000080034 Cinta completa
E1000120334 Cinta económica
E1000501034 Cinta completa
con hombrera
E1000501134 Cinta completa
sin hombreras
E1000501135 Kit con 10 cintas

E1000501230 Cinta Janisset
E1000501268 Cinta Janisset
económica

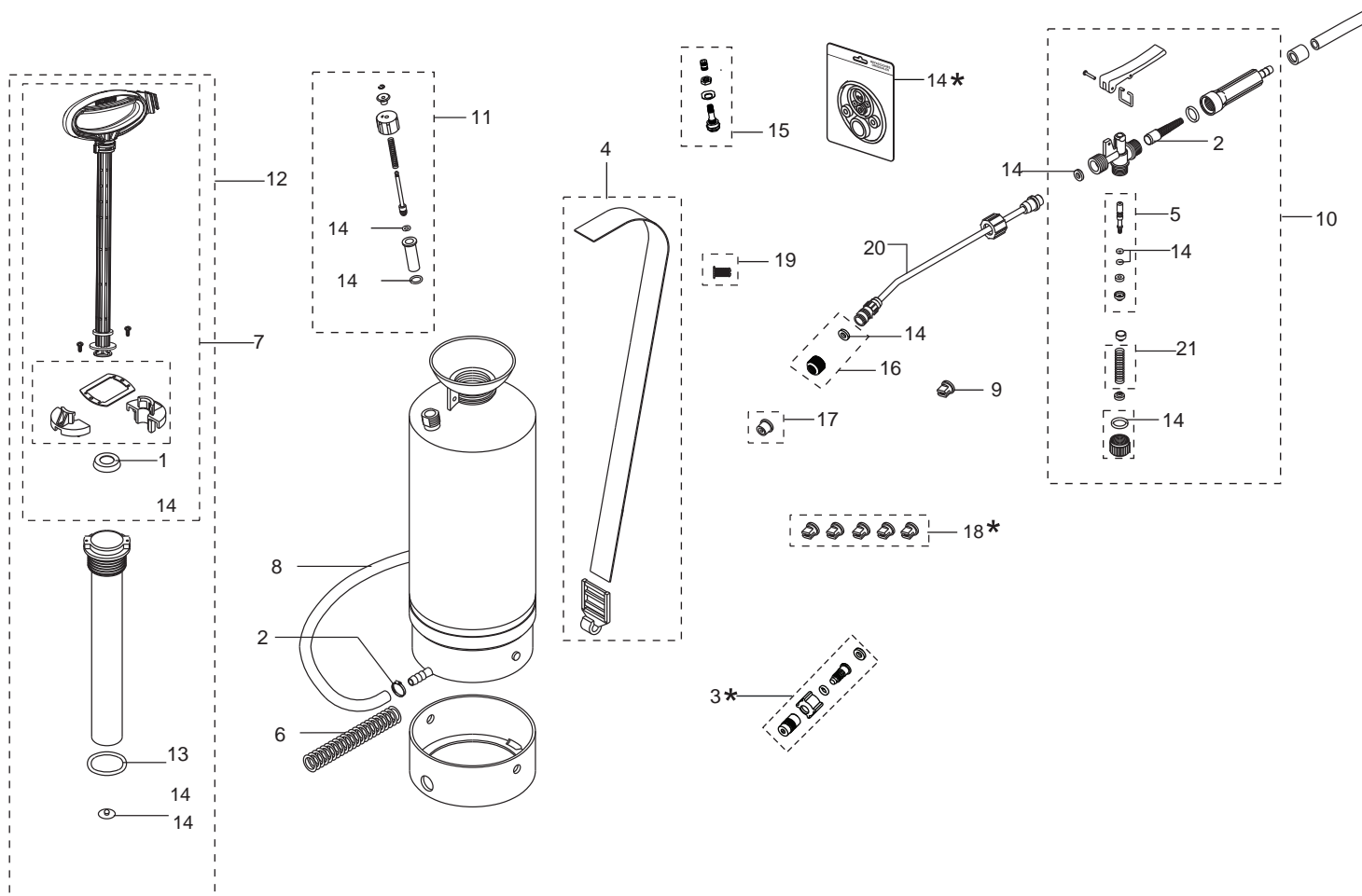


E1000501336 Cinta Janisset con
gancho tipo argolla

NOTA: Estos Accesorios no son exclusivos de nuestra línea de construcción. Para más información, por favor comuníquese con nuestro representante de venta o en nuestra página: www.swissmex.com

8. REFACCIONES

ACETONE 10/30



A Piezas de desgaste y consumibles siempre disponibles.

No.	Código	Descripción	Pzas. equipo	Pzas. empaque
1	E1000120029	PISTÓN	1	20
2	E1000807074	FILTRO	1	10
3 *	E1000803092	BOQUEREL COMPLETO LATÓN EPDM	1	1
9	E1000216050	PUNTA AZUL	1	10
10	E1000806075	PISTOLA C/ESPIGA 3/8"	1	1
13	E1000120340	AROSSELLO P/TUBO BOMBEO	1	10
14*	E1000320201	JUEGO DE EMPAQUES	1	1
17	E1888216045	PUNTA CERÁMICA GRIS	1	1
18*	E1888216046	JUEGO DE PUNTAS	1	1
19	E2888219011	FILTRO ANTIGOTEO	1	10
20	E1000803085	TUBO ROCIADOR	1	1

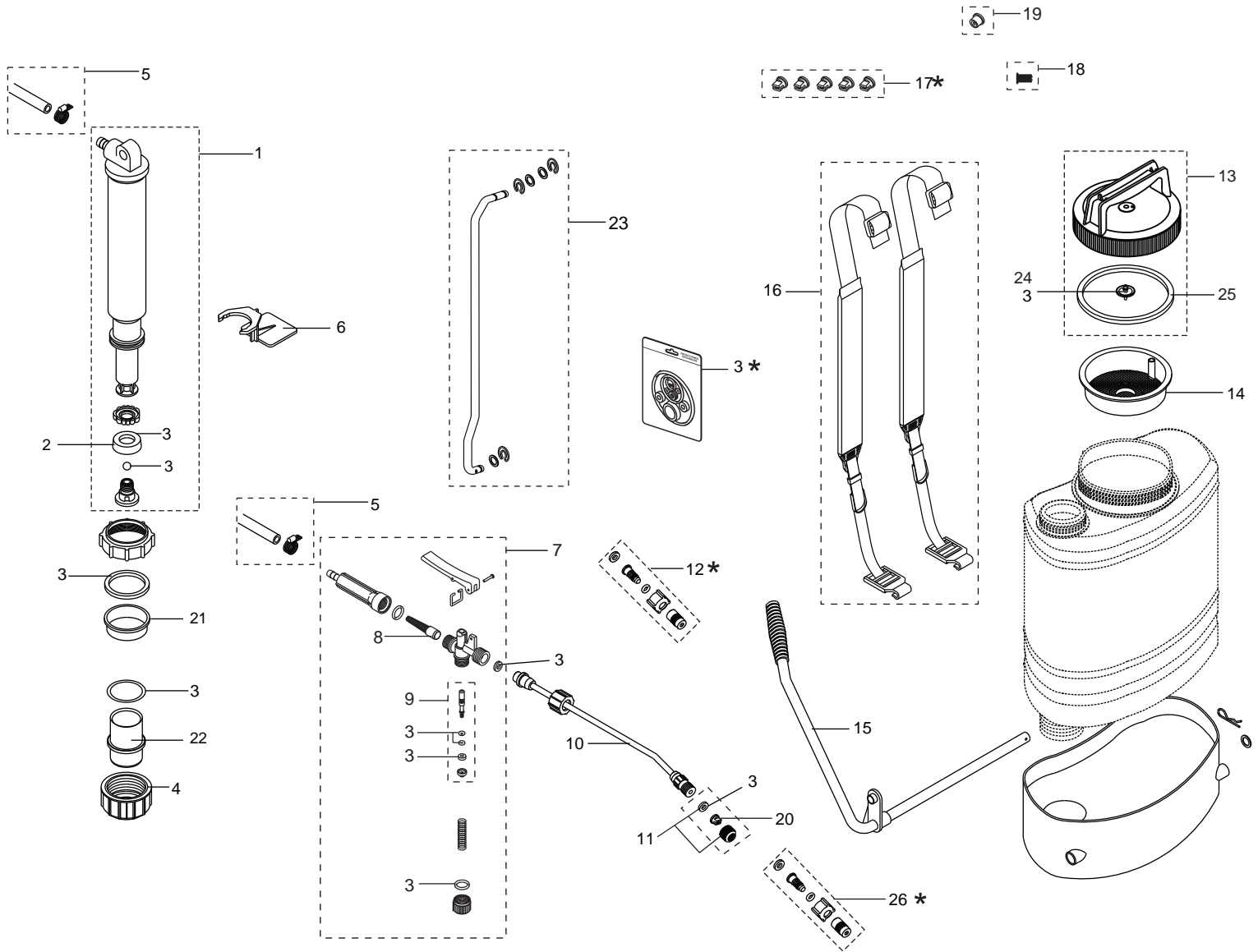
B Piezas de desgaste y consumibles siempre disponibles.

No.	Código	Descripción	Pzas. equipo	Pzas. empaque
4	E1000120334	CINTA	1	1
5	E1000806166	VÁSTAGO DE LATÓN	1	5
6	E1000803233	RESORTE PARA MANGUERA	1	1
7	E1000320314	MANERAL COMPLETO NEGRO	1	1
8	E1000803683	MANGUERA CON ABRAZADERAS	1	1
11	E1000120330	VÁLVULA DE ALIVIO	1	1
12	E1000320223	TUBO DE BOMBEO COMPLETO	1	1
15	E1888319008	VÁLVULA PIVOTE	1	10
16	E1000219216	TUERCA PARA BOQUEREL	1	1
21	E1000803067	RESORTE	1	10

NOTA: Debido al interés en el progreso tecnológico, la empresa se reserva el derecho hacer cambios o modificaciones técnicas sin previo aviso.

Las piezas marcadas con * no vienen incluidas en el equipo.

ACETONE 40



A Piezas de desgaste y consumibles siempre disponibles.

No.	Código	Descripción	Pzas. por equipo	Pzas. por empaque
3 *	E1000189201	KIT JUEGO DE EMPAQUES	1	1
12 *	E1000806090	BOQUEREL COMPLETO PLÁSTICO EPDM	1	1
17 *	E1888216046	KIT DE PUNTAS	1	1
18	E2888219011	FILTRO MESH	1	10
19	E1888216045	PUNTA CERÁMICA	1	10
20	E1000216050	PUNTA AZUL	1	10
26 *	E1000803092	BOQUEREL DE LATÓN	1	1

NOTA: Debido al interés en el progreso tecnológico, la empresa se reserva el derecho hacer cambios o modificaciones técnicas sin previo aviso.
Las piezas marcadas con * no vienen incluidas en el equipo.

B Piezas de desgaste y consumibles siempre disponibles.

No.	Código	Descripción	Pzas. por equipo	Pzas. por empaque
1	E1000189150	TUBO DE BOMBEO COMPLETO	1	1
2	E1000189054	PISTÓN	1	20
4	E1000189025	TUERCA PORTA CILINDRO	1	5
5	E1000803683	MANGUERA CON ABRAZADERAS	1	1
6	E1000200050	AGITADOR	1	1
7	E1000806075	PISTOLA CON ESPIGA 3/8" PARA ACETONA	1	1
8	E1000807074	FILTRO	1	10
9	E1000806166	VÁSTAGO COMPLETO PARA ACETONA	1	5
10	E1000803085	TUBO ROCIADOR	1	1
11	E1000219216	TUERCA PARA BOQUEREL	1	1
13	E1000501301	TAPADERA COMPLETA	1	1
14	E1000501004	COLADERA	1	1
15	E1000189116	PALANCA	1	1
16	E1000501230	CINTAS JANISSET (2)	1	1
21	E1000080201	GUÍA DE NYLON	1	5
22	E1000189124	CILINDRO	1	1
23	E1000189115	VARILLA DE BOMBEO COMPLETA	1	1
24	E1000120343	CHAMPIÑÓN	1	20
25	E1000501076	EMPAQUE PARA TAPADERA	1	1

9. ALMACENAMIENTO

Procure siempre dejar su equipo en un lugar techado para que el sol y la lluvia no lo deterioren.

10. GARANTÍA

SWISSMEX®

Para hacer válida su garantía deberá apegarse a la Póliza de Garantía descrita a continuación:

La garantía será concedida por SWISSMEX RAPID SA DE CV, gratuitamente, cuando las piezas y los componentes presenten defectos de fabricación o de montaje y después de análisis conclusivo en planta (Lagos de Moreno, Jalisco). La garantía consiste en la sustitución de piezas dañadas por nuevas, o cambio del equipo dañado por uno nuevo, una vez que se haya verificado y evaluado el tipo de daño en el equipo, no incluye mano de obra o transporte.

La garantía de su equipo puede ser PREMIUM, MEDIUM o BASIC, dependiendo de la categoría de su equipo, en la portada de su manual viene descrito a qué categoría pertenece, también puede consultarlo en la página web.

Línea Premium = 12 meses

Línea Medium= 6 meses

Línea Basic = 3 meses

ESTA GARANTÍA SERÁ INVÁLIDA BAJO LAS SIGUIENTES CONDICIONES

1. Cuando el producto presente fallas por abuso, mal uso o mantenimiento inadecuado, falta de limpieza y enjuague apropiados de acuerdo a las instrucciones contenidas en el Manual del Operador.
2. Para el propósito de esta garantía el uso de cualquier solución química listada como peligrosa o diferente de las recomendadas en el manual del usuario será considerado como mal uso.
3. Cuando el producto haya sufrido modificaciones o adaptaciones por parte de personas no autorizadas o por el uso de repuestos que no hayan sido provistos por SWISSMEX-RAPID.
4. Cuando el producto haya sido dañado como consecuencias de desastres naturales.
5. Cuando la falla sea originada por el desgaste normal de las piezas debido al uso.

SWISSMEX-RAPID no se hace responsable por daños indirectos o consecuenciales que surgieran por el uso o funcionamiento del producto, otros daños resultantes en lesiones personales, pérdida económica, pérdida de propiedad, pérdida de ingresos o ganancias o costos de remoción, instalación o re-instalación.

SWISSMEX-RAPID, no hace ninguna otra garantía expresa a excepción de la aquí citada. Esta garantía otorga derechos legales específicos y usted puede tener otros derechos que varían de país a país.

Para hacer válida esta garantía contacte a su vendedor y presente el comprobante de compra.

Contac us / Contáctanos:
www.swissmex.com
exports@swissmex.com.mx
Calle Swissmex No. 500
Lagos de Moreno Jal. México
Tels: +52 474 741 2216
800 849 19 92

