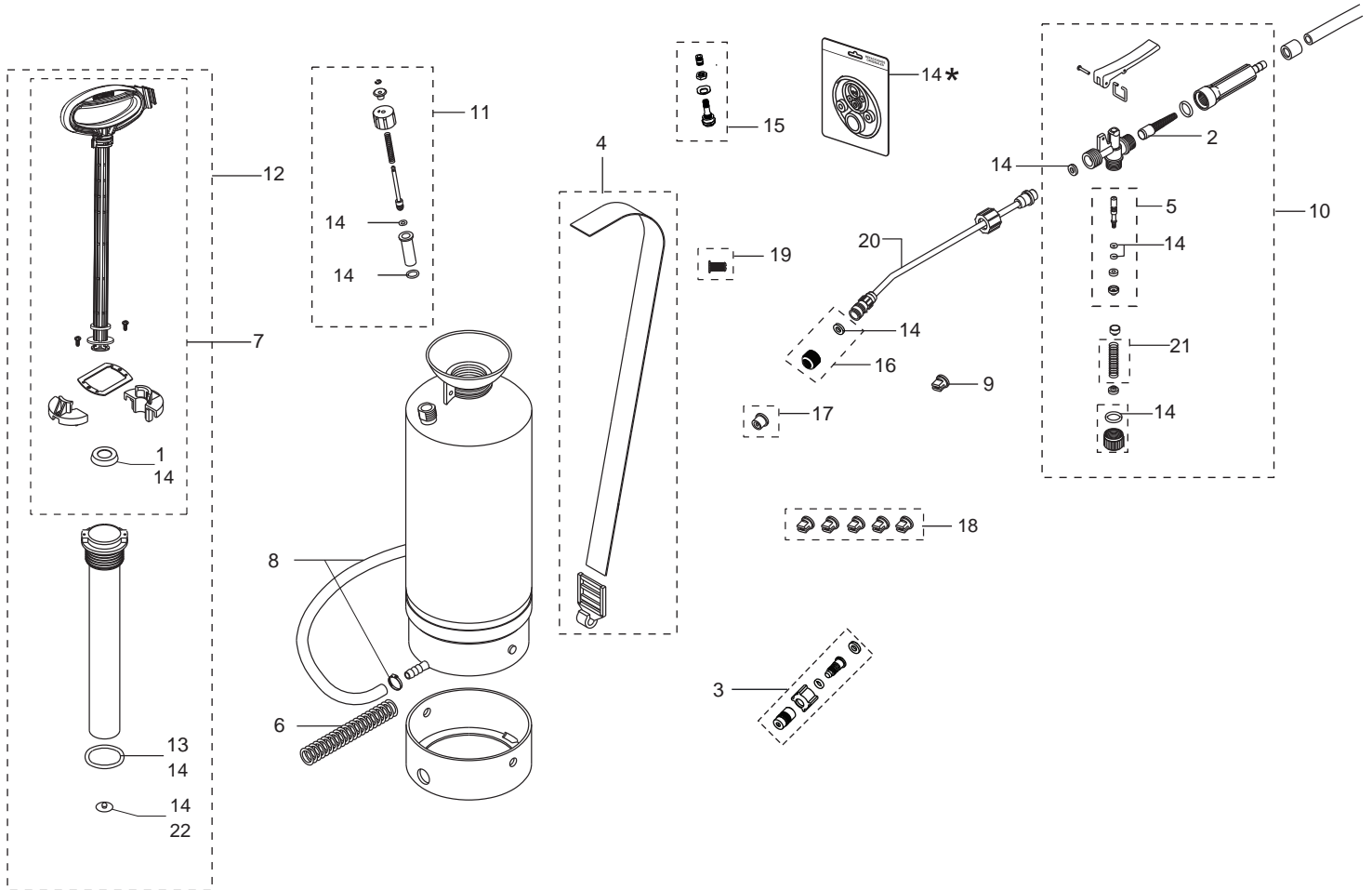


8. SPARE PARTS

ACETONE 10/30

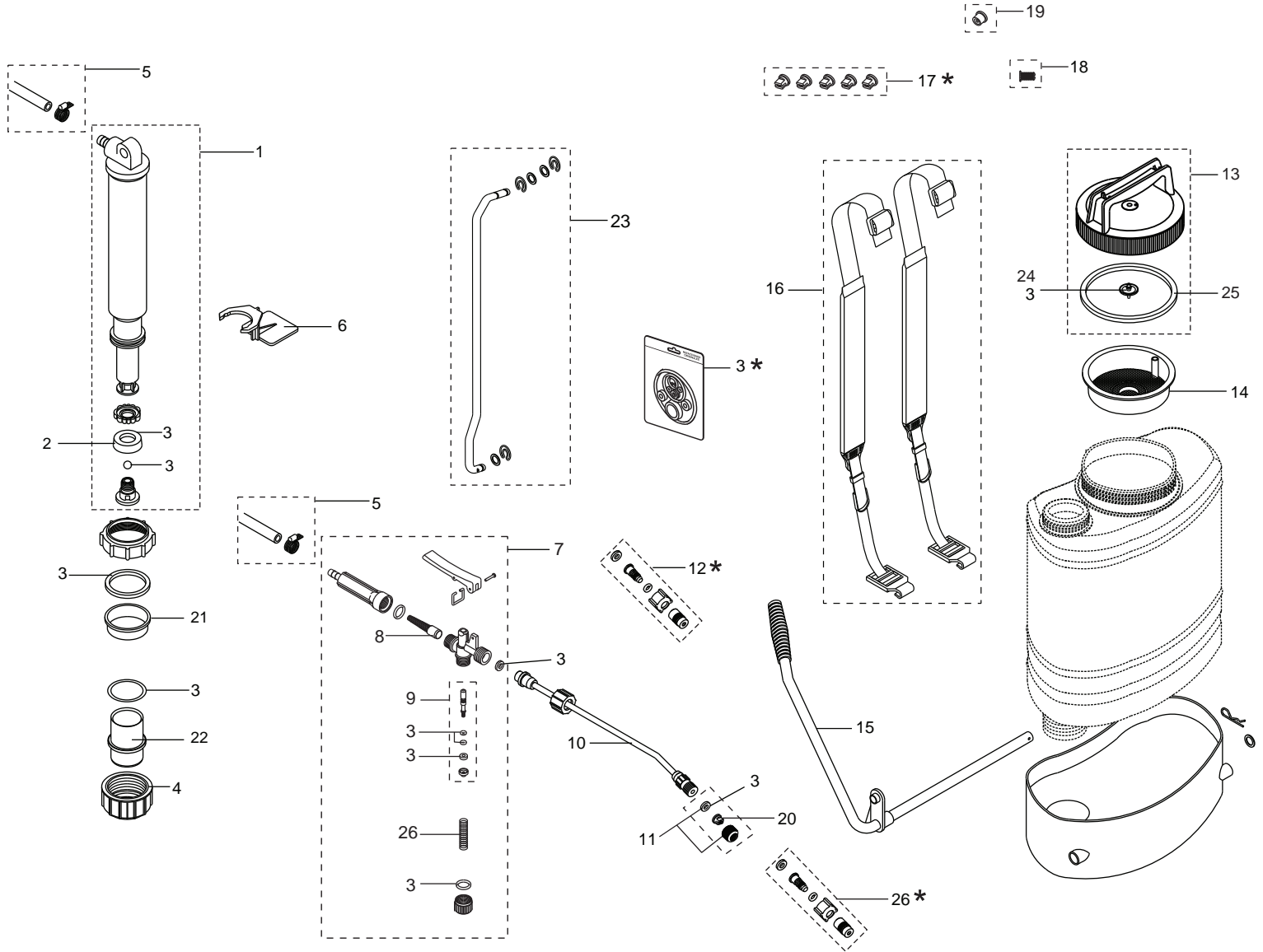


A Spare parts and consumables always available.					B Medium-use parts, available at discretion.				
No.	Code	Description	Qty.	Qty. per bag	No.	Code	Description	Qty.	Qty. per bag
1	E1000120029	PUMP PLUNGER	1	20	4	E1000120334	COMPLETE STRAP	1	1
2	E1000807074	FILTER	1	10	5	E1000806166	COMPLETE SPINDLE SET	1	5
3*	E1000803092	COMPLETE BRASS NOZZLE WITH EPDM SEALS	1	1	6	E1000803233	HOSE SPRING	1	1
9	E1000216050	BLUE FAN TIP	1	10	7	E1000320314	COMPLETE PUMP HANDLE	1	1
10	E1000806075	COMPLETE SPRAY GUN	1	1	8	E1000803683	HOSE SET WITH 2 HOSE CLAMPS	1	1
13	E1000120340	O-RING FOR PUMP TUBE	1	10	11	E1000120330	PRESSURE RELIEF VALVE	1	1
14*	E1000320201	FULL SETS OF SEALS AND O RINGS	1	1	12	E1000320223	COMPLETE PUMP MODULE	1	1
17	E1888216045	GRAY CERAMIC CONE TIP	1	10	15	E1888319008	SCHRADER VALVE	1	10
18*	E1888216046	5 CONE TIP KIT	1	1	16	E1000219216	NOZZLE HOLDER WITH SEAL	1	1
19	E2888219011	ANTI-DRIP FILTER	1	10	21	E1000803067	SPRING	1	10
20	E1000803085	20" BRASS SPRAY WAND	1	1	22	E1000320205	CHECK VALVE EPDM	1	20

NOTE: In the interest of continued technologic progress specifications are subject to change without notice.

Please note that marked * Not supplied with unit.

ACETONE 40



A Spare parts and consumables always available.

No.	Code	Description	Qty.	Qty. per bag
3 *	E1000189201	COMPLETE SET OF SEALS	1	1
12 *	E1000806090	COMPLETE PLASTIC NOZZLE WITH EPDM SEALS	1	1
17 *	E1888216046	5 CONE TIP KIT	1	1
18	E2888219011	ANTI-DRIP FILTER	1	10
19	E1888216045	GRAY CERAMIC CONE TIP	1	10
20	E1000216050	BLUE FAN TIP	1	10
26 *	E1000803092	BRASS ADJUSTABLE NOZZLE WITH EPDM SEALS	1	1

NOTE: In the interest of continued technologic progress specifications are subject to change without notice.
Please note that marked * Not supplied with unit.

B Medium-use parts, available at discretion.

No.	Code	Description	Qty.	Qty. per bag
1	E1000189150	COMPLETE PUMP TUBE	1	1
2	E1000189054	PISTON	1	20
4	E1000189025	HOLDING CAP FOR CYLINDER	1	5
5	E1000803683	HOSE SET WITH 2 HOSE CLAMPS	1	1
6	E1000200050	AGITATOR	1	1
7	E1000806075	COMPLETE SPRAY GUN	1	1
8	E1000807074	FILTER	1	10
9	E1000806166	COMPLETE SPINDLE SET	1	5
10	E1000803085	20" BRASS SPRAY WAND	1	1
11	E1000219216	NOZZLE HOLDER WITH SEAL	1	1
13	E1000501301	GRAY TANK LID	1	1
14	E1000501004	6" STRAINER FOR TANK LID	1	1
15	E1000189116	METAL PUMP HANDLE WITH PLASTIC GRIP	1	1
16	E1000501230	COMPLETE STRAP (2)	1	1
21	E1000080201	NYLON GUIDE	1	5
22	E1000189124	CYLINDER	1	1
23	E1000189115	METAL PUMP LEVER WITH LOCKING PINS	1	1
24	E1000120343	CHECK VALVE FOR LID	1	20
25	E1000501076	SEAL FOR 6" LID	1	1
26	E1000803067	SPRING	1	1