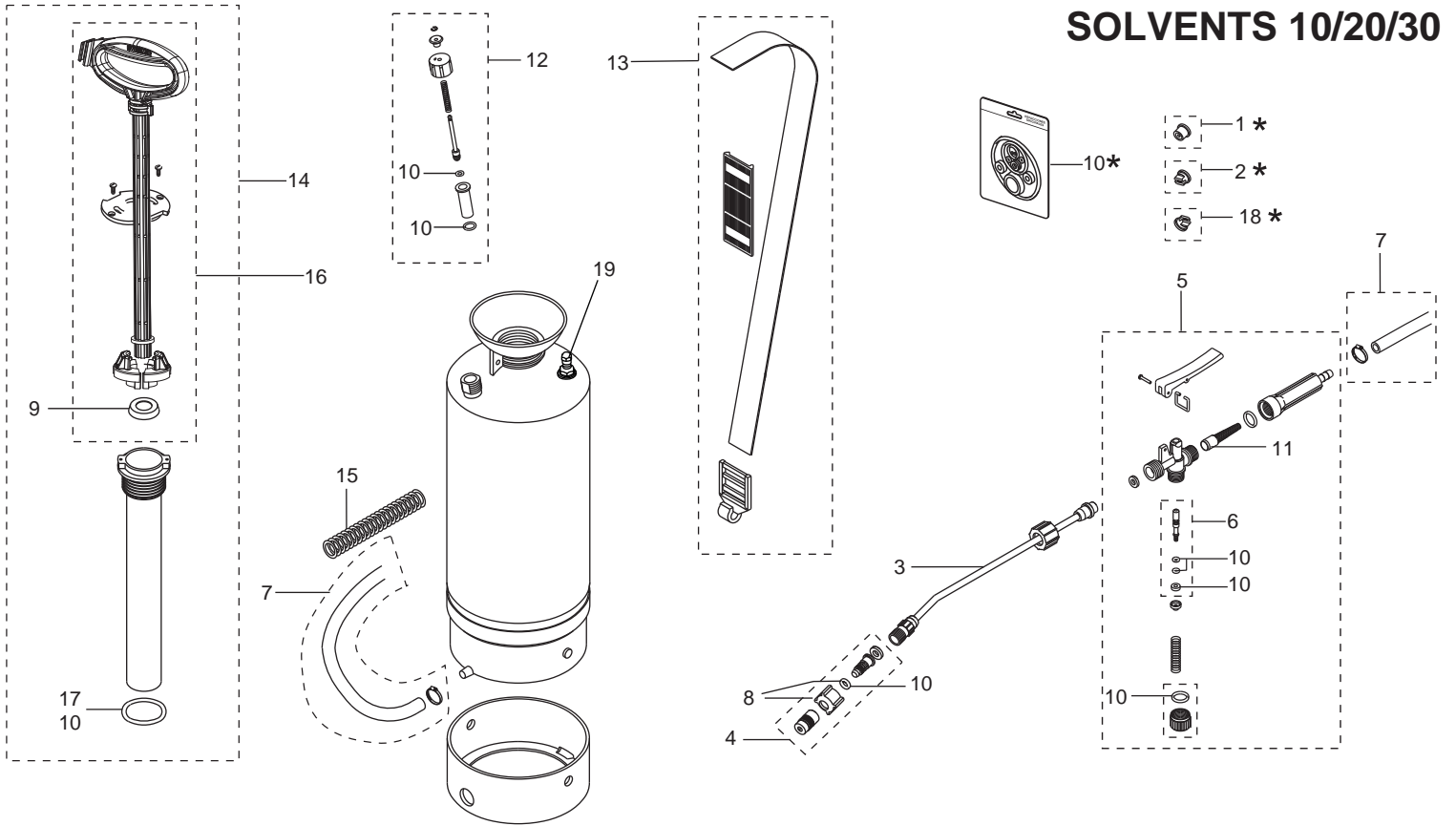


8. SPARE PARTS



A Spare parts and consumables always available.

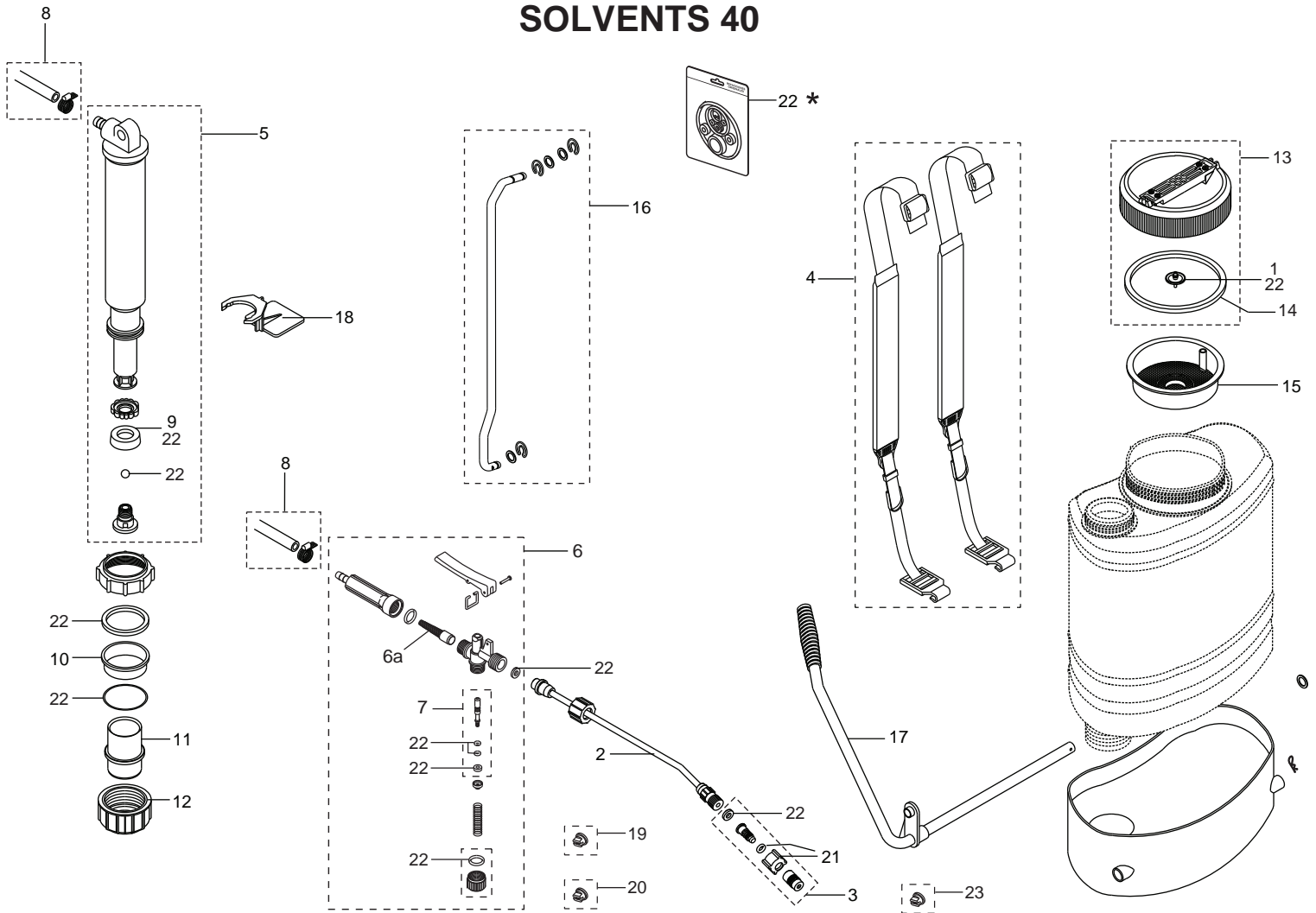
No.	Code	Description	Qty.	Qty. per bag
1 *	E2888219007	11003-1102 03 DARK BLUE FAN TIP	1	10
2 *	E2888219038	SF 110 LIGHT BLUE FAN TIP	1	10
8	E1000803094	NOZZLE HOLDER WITH SEAL (V)	1	1
9	E1000120029	PUMP PLUNGER	1	20
10 *	E1000320202	COMPLETE SET OF O-RINGS	1	1
18 *	E2888219002	TIP RIGHT ANGLE DEFLECTED 1008.05 BROWN	1	10

B Medium-use parts, available at discretion.

No.	Code	Description	Qty.	Qty. per bag
3	E1000803085	20" BRASS SPRAY WAND	1	1
4	E1000803592	ADJUSTABLE BRASS NOZZLE WITH HOLDER	1	1
5	E1000807082	COMPLETE SPRAY GUN WITH SEALS	1	1
6	E1000803061	COMPLETE SPINDLE SET	1	5
7	E1000803183	HOSE SET WITH 2 HOSE CLAMPS	1	1
11	E1000807074	FILTER SPRAY (GUN)	1	10
12	E1000120324	PRESSURE RELIEF VALVE	1	1
13	E1000120334	CARRYING STRAP	1	1
14	E1000320325	COMPLETE PUMP MODULE	1	1
15	E1000803233	HOSE SPRING	1	5
16	E1000320314	PUMP HANDLE	1	1
17	E1000120350	LARGE O-RING FOR PUMP TUBE	1	10
19	E1888319008	SCHRADER VALVE	1	10

NOTE: In the interest of continued technologic progress specifications are subject to change without notice.
Please note that marked * Not supplied with unit.

SOLVENTS 40



A Spare parts and consumables always available.

No.	Code	Description	Qty.	Qty per bag
2	E1000803085	20" BRASS SPRAY WAND	1	1
3	E1000803592	ADJUSTABLE BRASS NOZZLE WITH HOLDER	1	1
7	E1000803061	COMPLETE SPINDLE SET	1	5
19	E2888219007	11003-1102 03 DARK BLUE FAN TIP	1	10
20	E2888219038	SF 110 LIGHT BLUE FAN TIP	1	10
22*	E1000189202	COMPLETE SET OF O RINGS	1	1
23	E2888219002	TIP RIGHT ANGLE DEFLECTED 1008.05 BROWN	1	10

B Medium-use parts, available at discretion.

No.	Code	Description	Qty.	Qty. per bag
1	E1000501020	CHECK VALVE FOR LID	1	20
4	E1000501230	STRAP (2) COMPLETE	1	1
5	E1000189130	COMPLETE PUMP TUBE	1	1
6	E1000807082	COMPLETE SPRAY GUN WITH SEALS	1	1
6a	E1000807074	FILTER SPRAY GUN	1	1
8	E1000803183	HOSE SET WITH 2 HOSE CLAMPS	1	1
9	E1000189029	VITON PISTON CUP	1	20
10	E1000080201	NYLON GUIDE	1	5
11	E1000189024	CYLINDER	1	1
12	E1000189025	HOLDING CAP FOR CYLINDER	1	5
13	E1000501810	GRAY TANK LID	1	1
14	E1000501002	SEAL FOR 6" LID	1	1
15	E1000501004	STRAINER FOR TANK LID	1	1
16	E1000189115	METAL PUMP LEVER WITH LOCKING PINS	1	1
17	E1000189116	PUMP HANDLE WITH PLASTIC GRIP	1	1
18	E1000200050	AGITATOR	1	1
21	E1000803094	NOZZLE HOLDER WITH SEAL (V)	1	1

NOTE: In the interest of continued technologic progress specifications are subject to change without notice.

Please note that marked * Not supplied with unit.